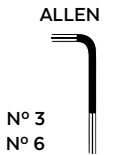


INDIAN FTR 1200/S '19-'22

M O U N T I N G I N S T R U C T I O N S

REF 3834

WINDSHIELD NAKED NEW GENERATION SPORT



ID.	PIEZA/PART	DESCRIPCIÓN	DESCRIPTION	QTY.	REF.:
1		Cúpula SPORT	SPORT screen	1	3834W/H/N/FM3
2		Soporte izquierdo	Left support	1	SOPOR2PI-L-3834
3		Soporte derecho	Right support	1	SOPOR2PI-R-3834
4		Tornillo allen DIN912 M8X55	M8X55 DIN912 allen screw	2	TORNI-D912--631
5		Casquillo Ø8,5x Ø13x 12	Ø8,5xØ13x12 spacer	2	CASQUI-M----769
6		Silentblock M5	M5 silentblock	4	SILENBTM5-046/1
7		Arandela nylon M5x1	M5x1 nylon washer	4	ARNV00000000245
8		Tornillo allen M5x16 Ø11 ISO 7380	M5x16 Ø11 ISO 7380 allen screw	4	TORNI-I7380-493
9		Tapón tornillo M5 ISO 7380	M5 ISO 7380 screw cap	4	TAPON-----85

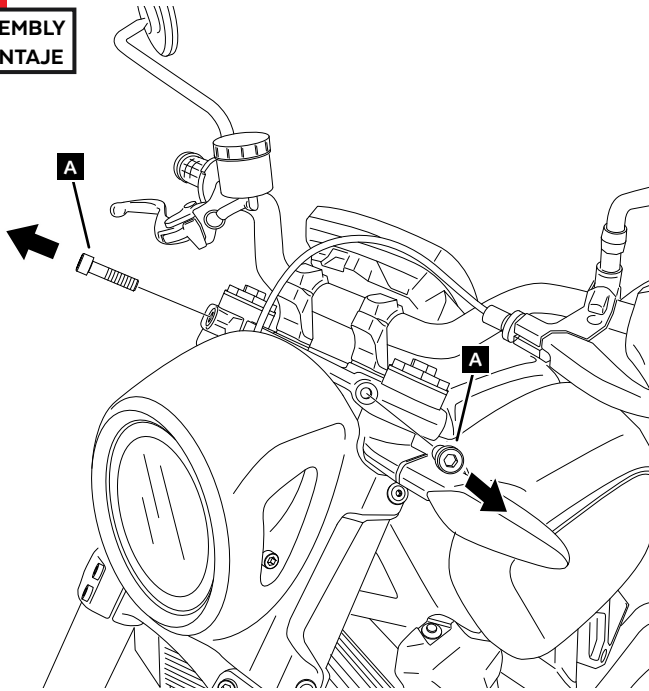
INDIAN FTR 1200/S '19-'22

INSTRUCCIONES DE MONTAJE - MOUNTING INSTRUCTIONS - MONTAGEANLEITUNG

1

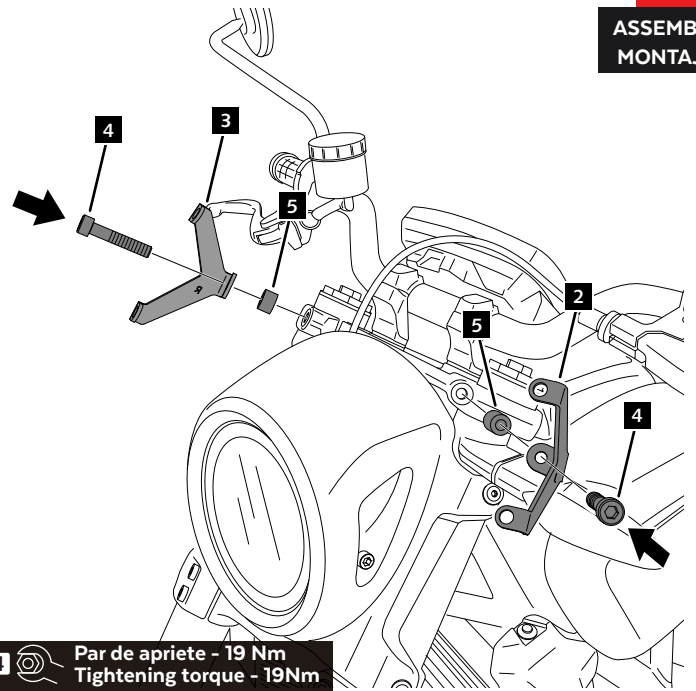
DISASSEMBLY
DESMONTAJE

A Tornillería original
Original screws



2

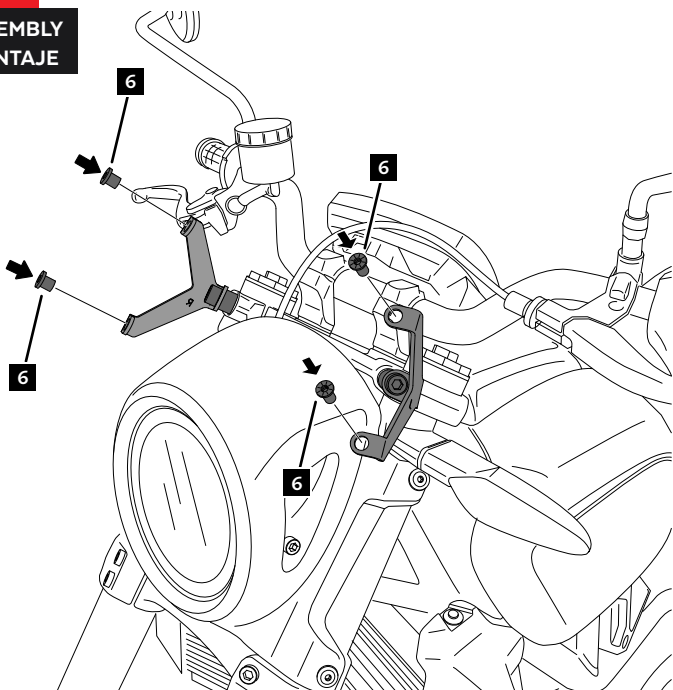
ASSEMBLY
MONTAJE



4 Par de apriete - 19 Nm
Tightening torque - 19Nm

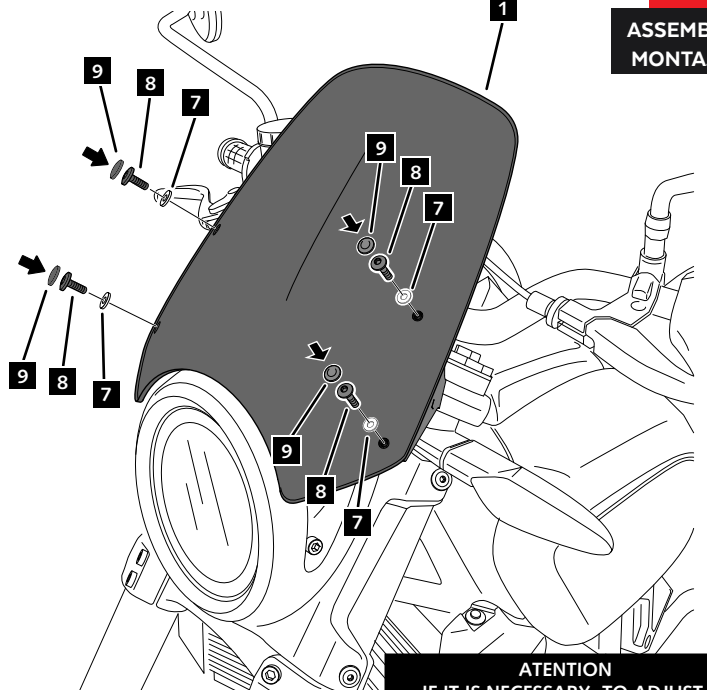
3

ASSEMBLY
MONTAJE



4

ASSEMBLY
MONTAJE



ATTENTION
IF IT IS NECESSARY, TO ADJUST
THE POSITION OF ID2/ID3 SUPPORTS