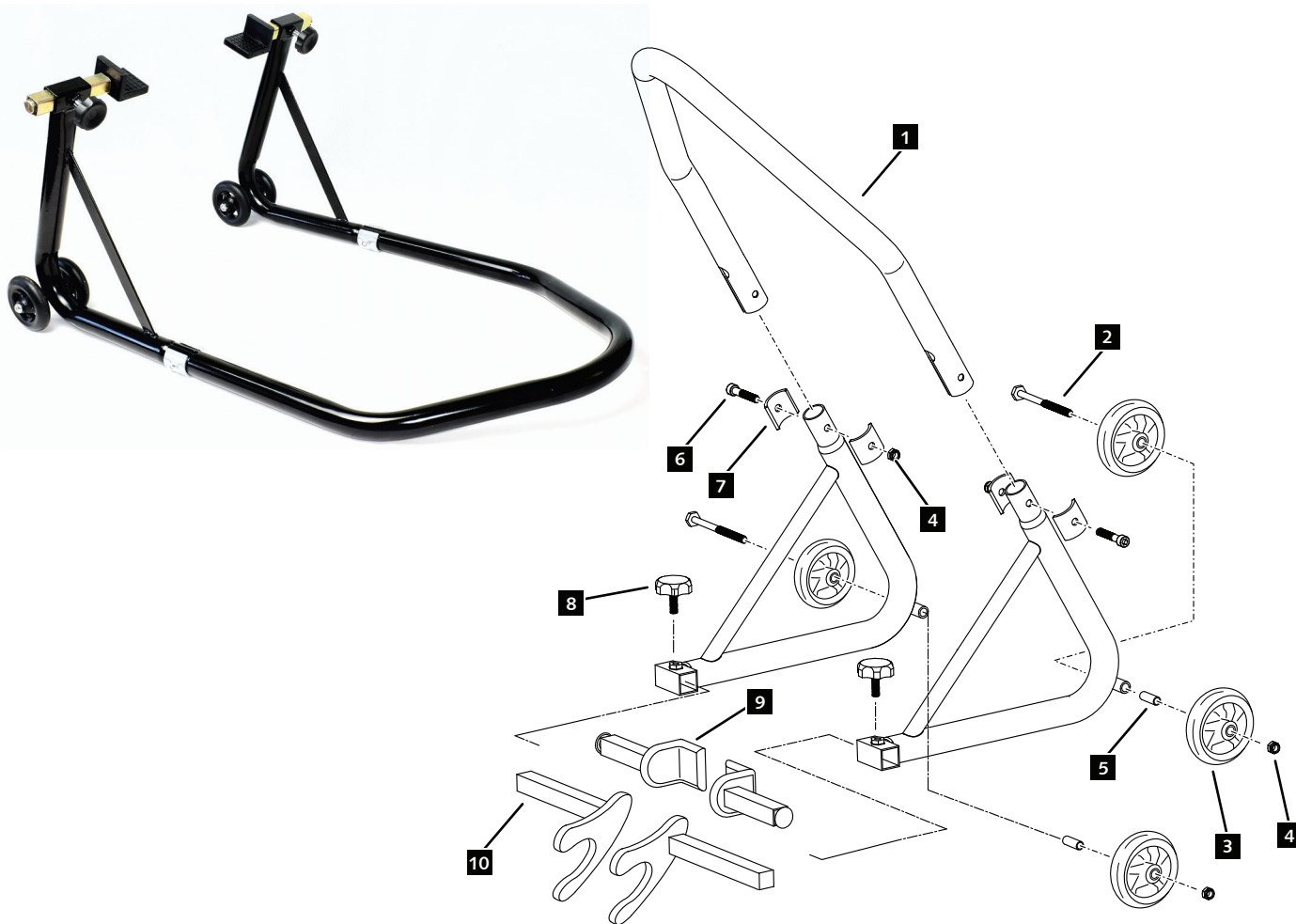


CABALLETE TRASERO REAR STAND

REF 4322N

M O U N T I N G I N S T R U C T I O N S



ID.	DESCRIPCIÓN	DESCRIPTION	QTY.
1	Soporte superior	Rear handle	1
2	Tornillo M8x105	M8x105 screw	2
3	Rueda nylon	Nylon wheel	4
4	Tuerca M8	M8 Nut	4
5	Casquillo 10x30	Spacer 10x30	4
6	Tornillo M8x50	M8x50 screw	2
7	Arandela curvada	Curved washer	4
8	Tornillo de retención	Retaining screw	2
9	Base para basculante	Cup adaptors	1
10	Soporte de gancho	Hook	1