

KAWASAKI ZX6R '13 -'18

M O U N T I N G I N S T R U C T I O N S

REF 3162

SIDE SPOILER DOWNFORCE



1 Person



40 min



EASY



N° 7



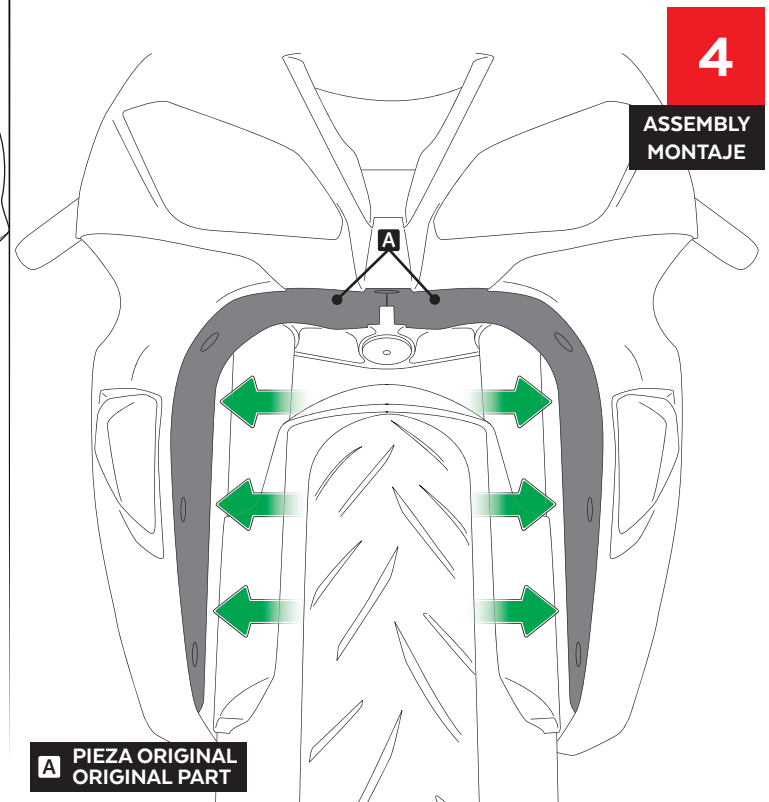
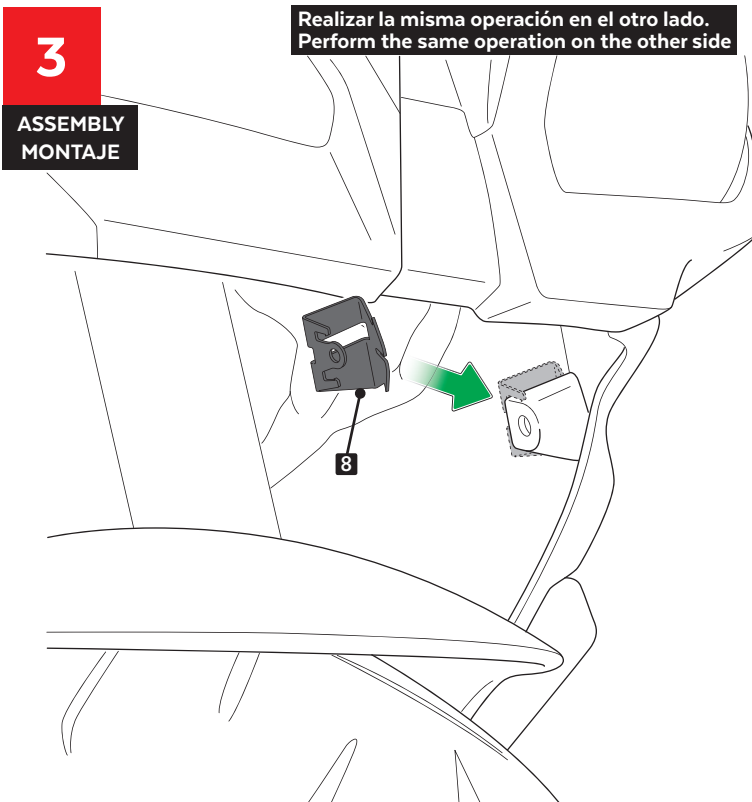
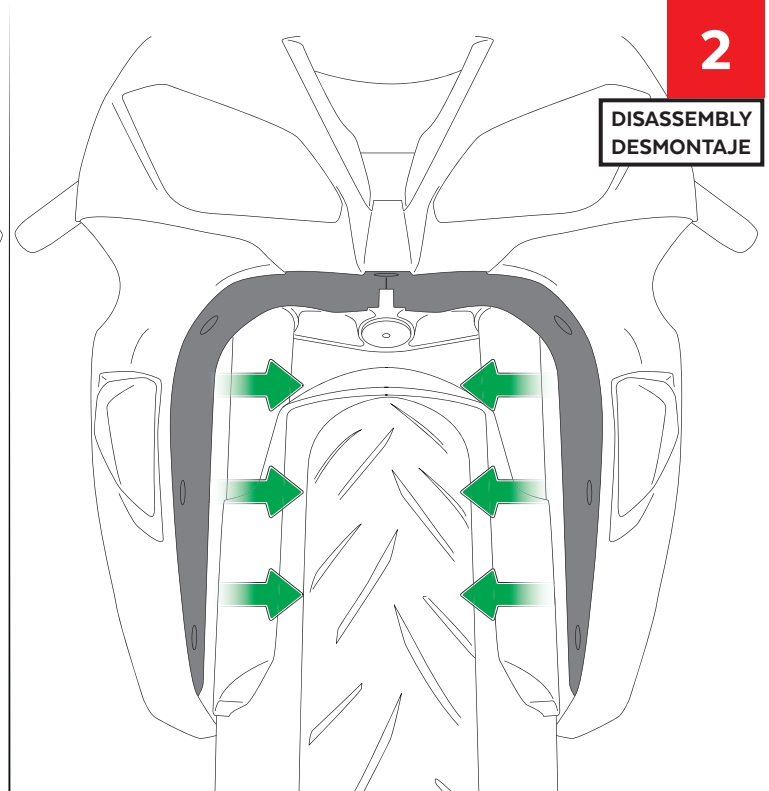
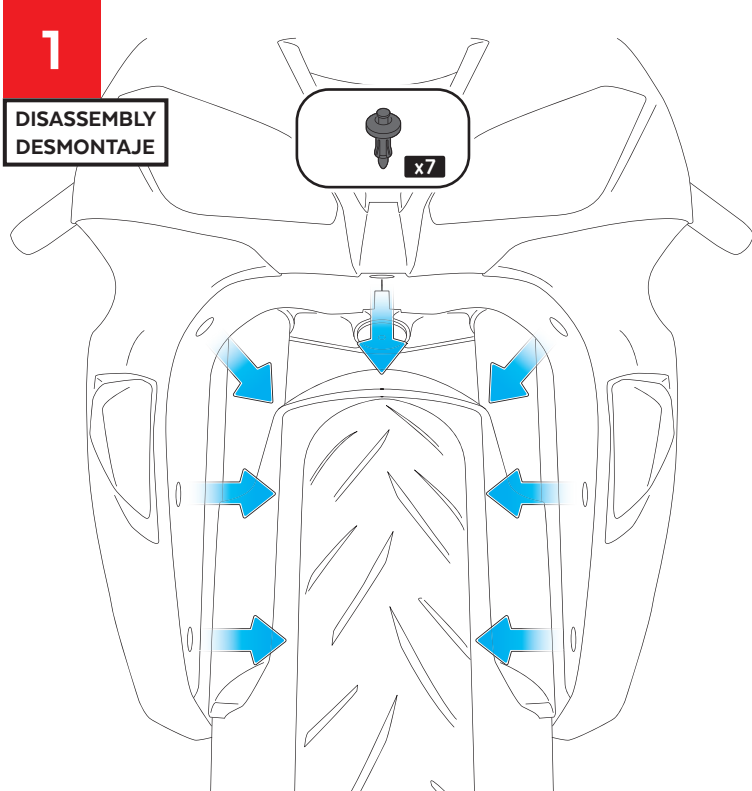
ALLEN

N° 2,5
N° 3

| ID | PIEZA/PART | DESCRIPCIÓN | DESCRIPTION | QTY | REF |
|----|------------|--|--|-----|-----------------|
| 1 | | Base alerón derecha | Right main plain spoiler | 1 | 10683 |
| 2 | | Winglet negro/azul/rojo/naranja/verde derecho | Right black/blue/red/orange/green Winglet | 1 | 3692N/A/R/T/V |
| 3 | | Base alerón izquierda | Left main plain spoiler | 1 | 10683 |
| 4 | | Winglet negro/azul/rojo/naranja/verde izquierdo | Left black/blue/red/orange/green Winglet | 1 | 3692N/A/R/T/V |
| 5 | | Soporte metálico derecho (R) | Right metal suport (R) | 1 | SOPOR4P7R1-3162 |
| 6 | | Soporte metálico izquierdo (L) | Left metal suport (L) | 1 | SOPOR4P7L1-3162 |
| 7 | | Soporte derecho M4 (R) | M4 right support (R) | 1 | SOPOR4P7R2-3162 |
| 8 | | Soporte izquierdo M4 (L) | M4 left support (L) | 1 | SOPOR4P7L2-3162 |
| 9 | | Tuerca autoblocante M4 | M4 locking nut | 4 | TUERCAE985-0290 |
| 10 | | Arandela de goma Ø4,5 x Ø11 x 2mm | Ø4,5 x Ø11 x 2mm Rubber washer | 4 | ARAND-EPDM--722 |
| 11 | | Arandela de nylon M4x0,5 | M4x0,5 Nylon washer | 8 | ARNV00000000311 |
| 12 | | Tornillo Allen M4x12 Ø9 ISO 7380 | M4x12 Ø9 ISO 7380 Allen screw | 4 | TORNI-I7380-800 |
| 13 | | Tornillo Allen M4x16 Ø11 ISO 7380 | M4x16 Ø11 ISO 7380 Allen screw | 2 | TORNIAI7380-310 |
| 14 | | Tapón tornillo Allen M5 ISO 7380 | M5 ISO 7380 Allen screw cap | 4 | TAPON-----85 |
| 15 | | Arandela de nylon M5x1 | M5x1 Nylon washer | 4 | ARNV00000000245 |
| 16 | | Tornillo Allen M5x11 Ø11 ISO 7380 | M5x11 Ø11 ISO 7380 Allen screw | 4 | TORNI-AI----520 |
| 17 | | Cinta adhesiva de doble cara 30x10mm (se suministra montada con ID5/6) | 30x10mm double-sided adhesive tape (supplied already mounted on items ID5/6) | 4 | ADHESI-----263 |
| 18 | | Espuma adhesiva protectora 15x10mm (se suministra montada) | 10x15mm protective adhesive foam (supplied assembled) | 4 | ESPUMA-----264 |

KAWASAKI ZX6R '13 - '18

INSTRUCCIONES DE MONTAJE - MOUNTING INSTRUCTIONS - MONTAGEANLEITUNG

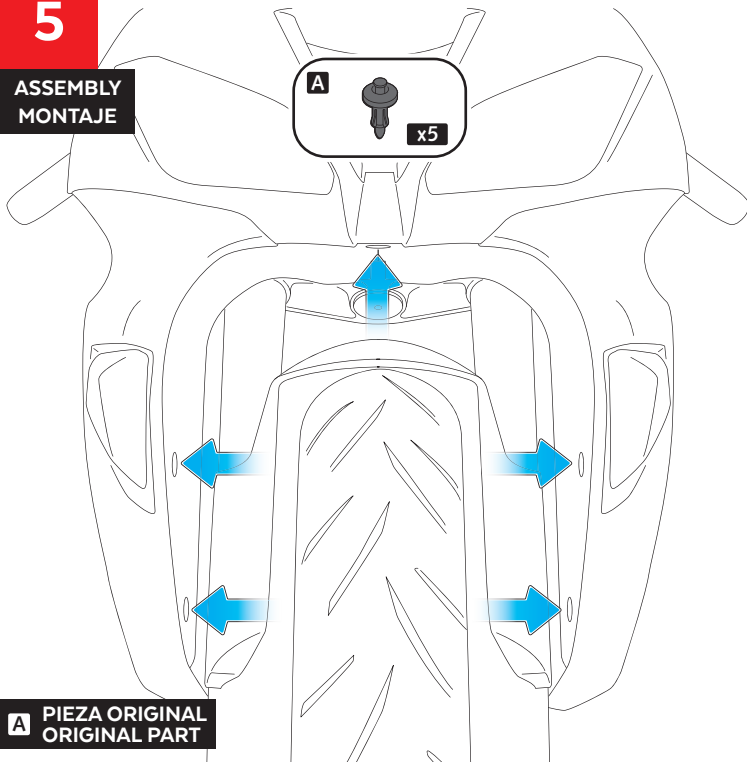


KAWASAKI ZX6R '13 -'18

INSTRUCCIONES DE MONTAJE - MOUNTING INSTRUCTIONS - MONTAGEANLEITUNG

5

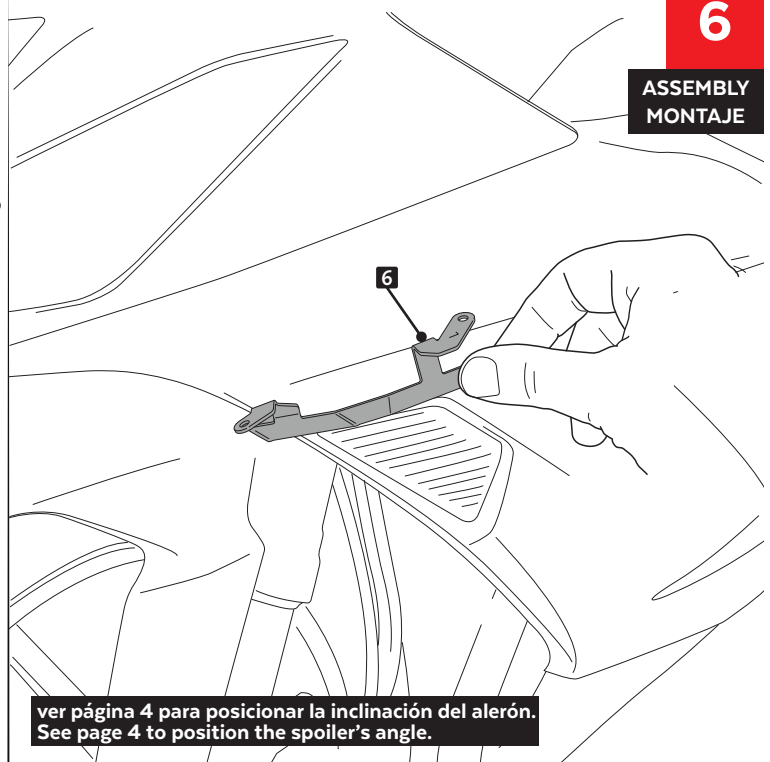
ASSEMBLY
MONTAJE



A PIEZA ORIGINAL
ORIGINAL PART

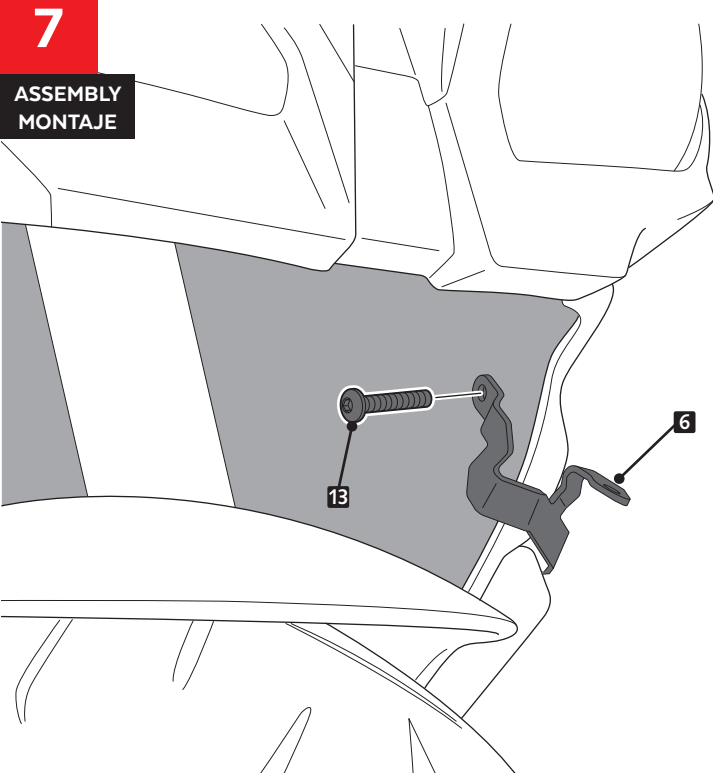
6

ASSEMBLY
MONTAJE



7

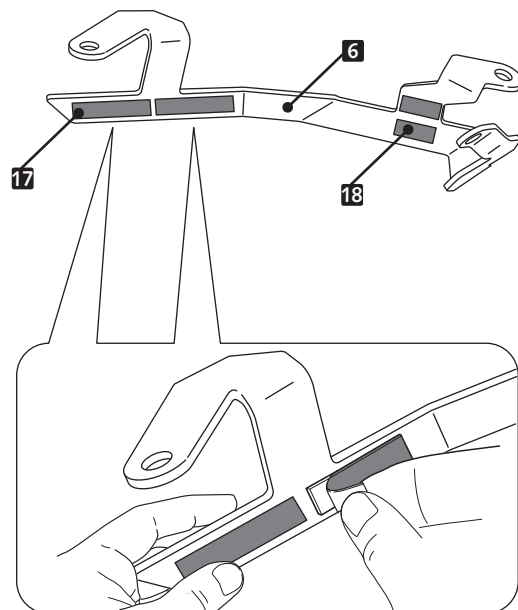
ASSEMBLY
MONTAJE



D17 Extraer papel de cinta adhesiva de doble cara.
Extract the paper from the double-sided adhesive tape.

8

ASSEMBLY
MONTAJE



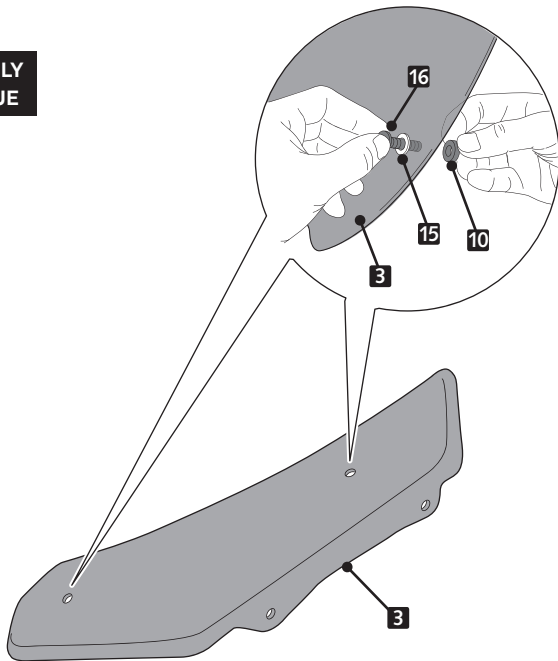
Apply pressure on adhesive area for 1 minut. Ideal tape application is accomplished when temperature is between 21°C and 38°C and the bond is allowed to dwell 24 hours.

KAWASAKI ZX6R '13 - '18

INSTRUCCIONES DE MONTAJE - MOUNTING INSTRUCTIONS - MONTAGEANLEITUNG

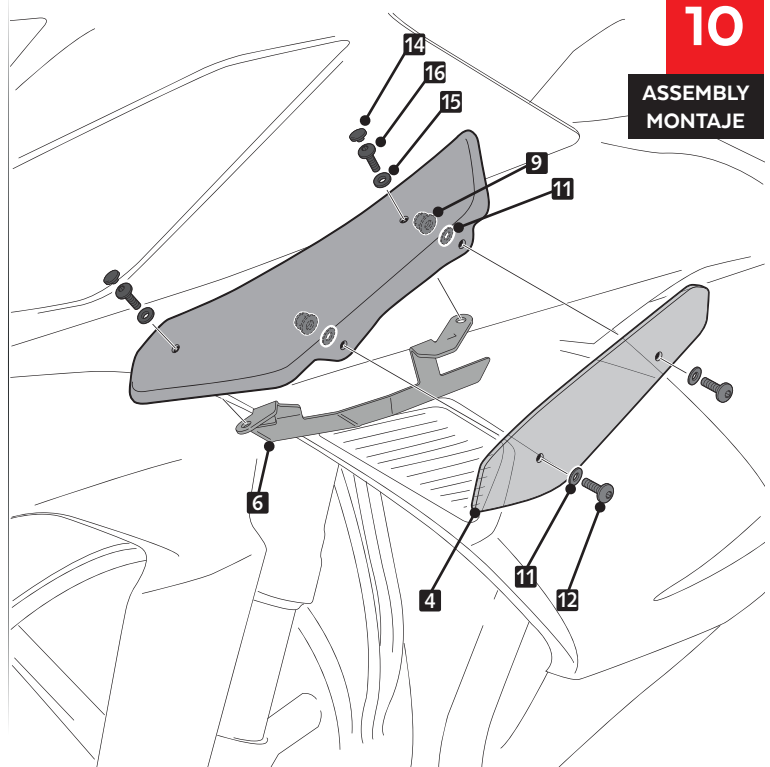
9

ASSEMBLY
MONTAJE



10

ASSEMBLY
MONTAJE



POSICIONAR EL ALERÓN
SEGÚN IMAGEN.

POSITION SPOILER
ACCORDING TO IMAGE.

