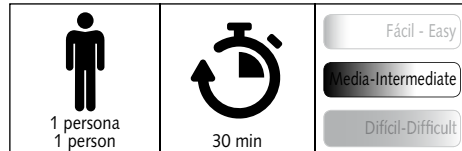


GUARDABARROS TRASERO ADAPTABLE A - REAR MUDGUARD ADAPTABLE TO - BMW R1200GS '18-/ R1200GS Exclusive '18-/ R1200GS Rallye '18-/ R1250GS '18-'19/ R1250GS HP '18-'19/ R1250GS Adventure '18-'19



Ref.: 1947 J
(color negro / black colour)

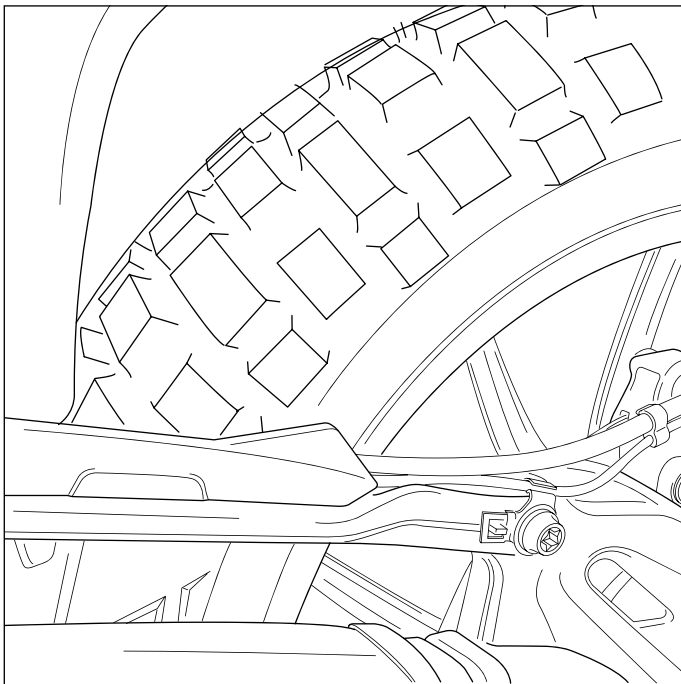
Ref.: 1947 C
(color carbono / carbon look)



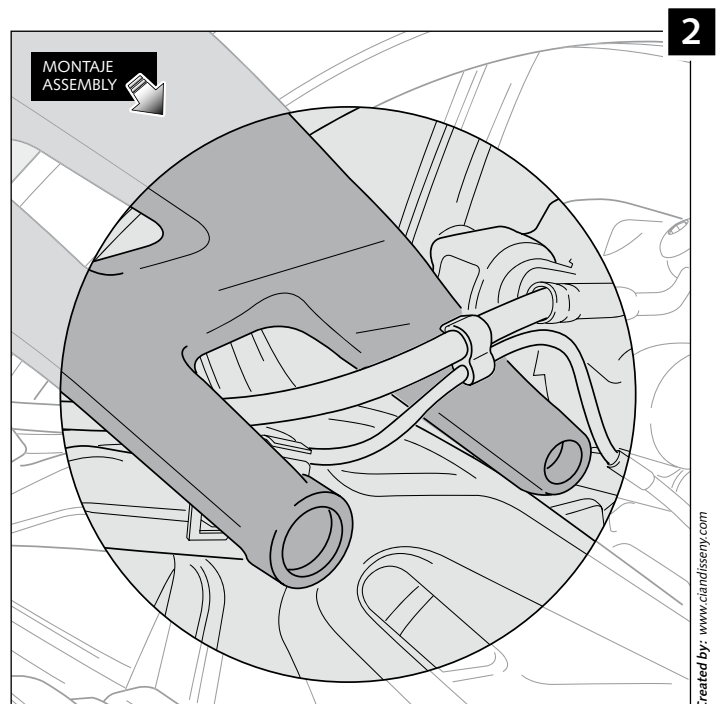
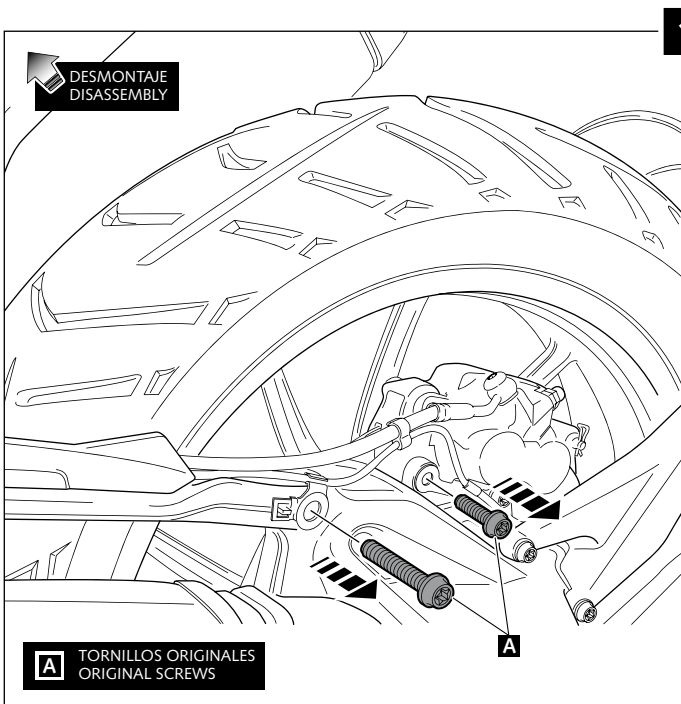
ID	PIEZA / PART	DESCRIPCIÓN	DESCRIPTION	QTY	REF.
1		Guardabarros	Mudguard	1	6352C/JM3
2		Soporte aluminio	Support aluminum	1	SOPORFUN-6352-7
3		Silemblock	Well nut	3	SILENBGONE--064
4		Tornillo Allen M5x11 ISO 7380	M5x11 ISO 7380 Allen screw	3	TORNI-AI----520
5		Casquillo con valona M5	M5 bush with flange	3	CASQUI-----517
6		Arandela Grower DIN 127 M5	DIN 127 M5 Grover washer	3	ARAND-G5----506
7		Tornillo Allen M8x35 DIN 912 12.9	M8x35 DIN 912 12.9 Allen screw	1	TORNI-D912--837
8		Tornillo Allen M10x75 DIN 912 12.9	M10x75 DIN 912 12.9 Allen screw	1	TORNI-D912--669
9		Casquillo Ø int. 10,5 Ø ext.-(1)15 x Ø ext.-(2)21x19,5	Arrowhead Øinner 10,5 Øouter-(1)15xØouter-(2)21x19,5	1	CASQUI-M-----604
10		Casquillo de fricción igus Ø int. 15 x Ø ext. 17x15	Arrowhead igus Ø inner 15 x Ø outer 17x15	1	COJIN-P-WSM-517
11		Tapón tornillo M5 ISO 7380	M5 ISO 7380 Allen screw cap	3	TAPON-----85

GUARDABARROS TRASERO ADAPTABLE A - REAR MUDGUARD ADAPTABLE TO - BMW R1200GS '18-/ R1200GS Exclusive '18-/ R1200GS Rallye '18-/ R1250GS '18-'19/ R1250GS HP '18-'19/ R1250GS Adventure '18-'19

INSTRUCCIONES DE MONTAJE - MOUNTING INSTRUCTIONS - MONTAGEANLEITUNG



- PARA NEUMÁTICOS OFF-ROAD, CONSULTAR COMPATIBILIDAD EN info@puig.tv
- FOR OFF-ROAD TIRES, PLEASE CHECK SUITABILITY AT info@puig.tv OR info@puigusa.com
- OFF-ROAD Reifen Verträglichkeit zu prüfen, info@puig.tv




**GUARDABARROS TRASERO ADAPTABLE A - REAR MUDGUARD ADAPTABLE TO -
 BMW R1200GS '18-/ R1200GS Exclusive '18-/
 R1200GS Rallye '18-/ R1250GS '18-'19/
 R1250GS HP '18-'19/ R1250GS Adventure '18-'19**

INSTRUCCIONES DE MONTAJE - MOUNTING INSTRUCTIONS - MONTAGEANLEITUNG

3

MONTAJE ASSEMBLY

7
8
9
10




- Par de apriete tornillos 7 (24Nm) y 8 (56 Nm).
- Tightening torque for screws n° 7 (24Nm) and 8 (56 Nm).
- Anzugsdrehmoment Schrauben N° 7 (24Nm) und 8 (56 Nm).

4

MONTAJE ASSEMBLY

4
6
11



SE RECOMIENDA REALIZAR EL REAPRIETE DE LA TORNILLERIA CADA 1000 Km
 IT IS RECOMMENDED TO CHECK TIGHTENING OF THE BOLTS EVERY 1000 Km.
 ES IST NOTWENDIG, DIE FESTIGKEIT DER SCHRAUBEN ALLE 1000 Km ZU ÜBERPRÜFEN.

Created by: www.clandisceny.com