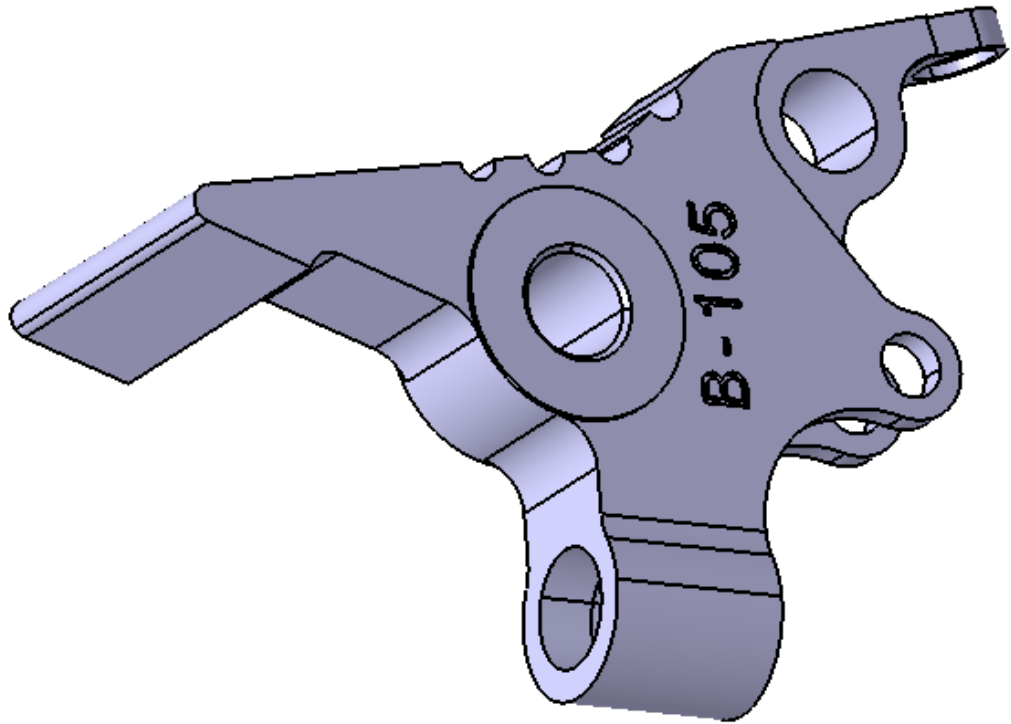


REF.21593N (B105)



B105 IS THE SAME DESIGN OF B6(30\_5\_2022) EXCEP THIS ZONE

