

MOTOPLASTIC, S.A.

Molí de la sal, 1 - 08403 Granollers (Barcelona) SPAIN

Tel. 34 93 849 06 33 - Fax 34 93 849 09 88

info@puig.tv - info@puigusa.com

www.puig.tv - www.puigusa.com

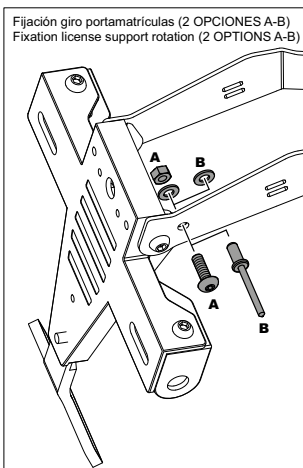
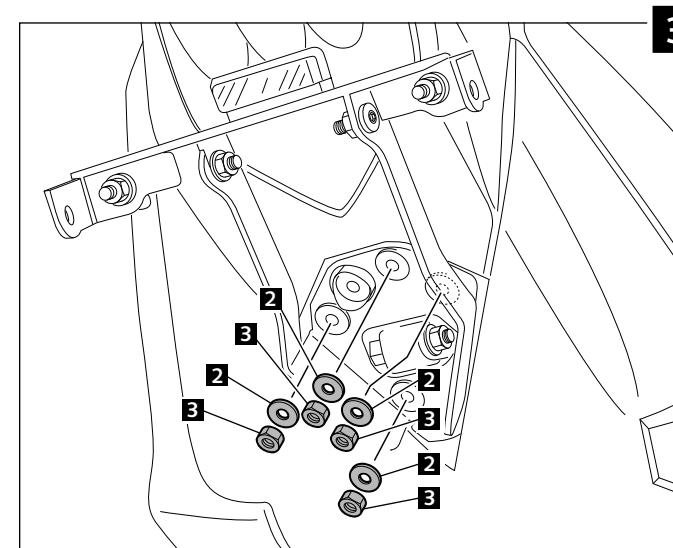
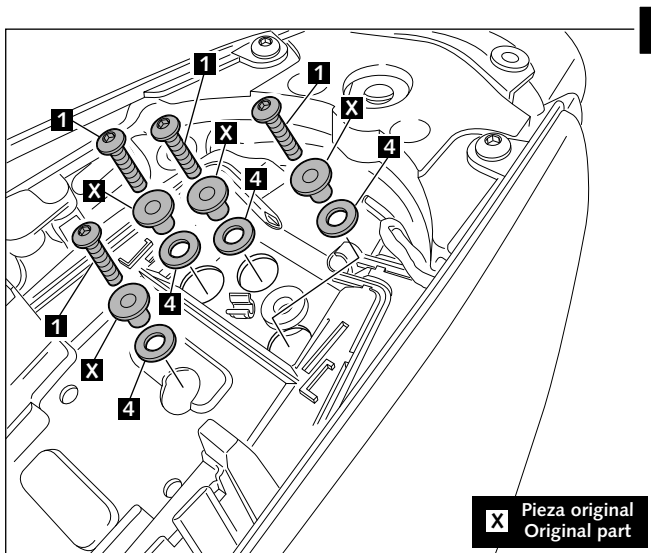
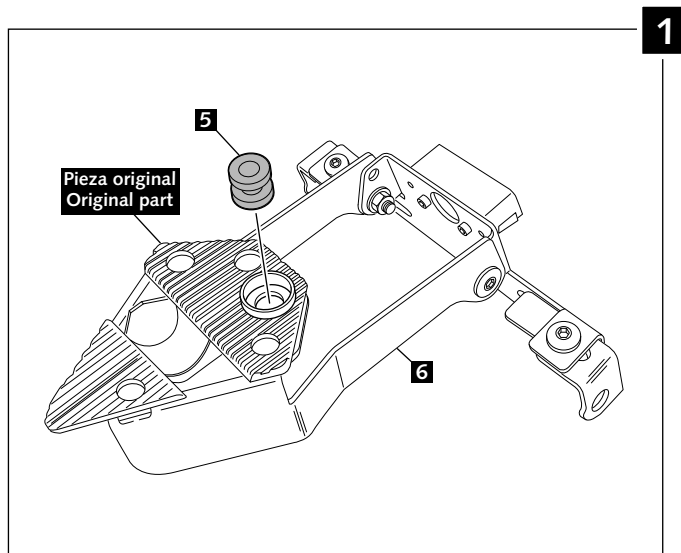
INSTRUCCIONES DE MONTAJE – MOUNTING INSTRUCTIONS – MONTAGEANLEITUNG

PORTAMATRÍCULAS ADAPTABLE A - LICENSE SUPPORT ADAPTABLE TO

STREET TRIPLE /R '13-

DAYTONA 675/R

Ref.: 6551N



ID.	DESCRIPCIÓN	DESCRIPTION	QTY.
1	Tornillos M6X25 DIN1001 c/negro	Black M6X25 fasteners DIN1001	4
2	Arandelas M6 DIN9021	M6 washers DIN9021	4
3	Tuercas M6 DIN6923 c/blanco	White M6 nuts DIN6923	4
4	Arandela aluminio	Aluminium washer	4
5	Silenbloc	Wellnut	1
6	Soporte portamatrículas	License support	1
7	Bridas de plástico	Plastic ziptides	4
8	Luz portamatrículas	License support light	1
9	Catadrióptico	Reflector	1
10	Desplazador catadrioptico	Support for reflector	1