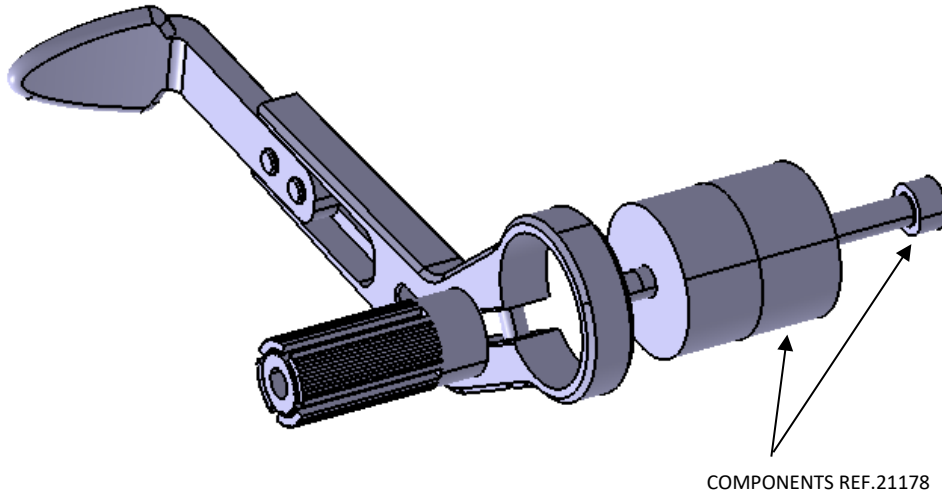


REF.21178N



NOTA: ES NECESARIO DESMONTAR EL MECANISMO INTERNO DEL CONTRAPESO ORIGINAL/ IS NECESSARY TAKE OFF THE INTERNAL MECHANISM OF ORIGINAL BAR END.

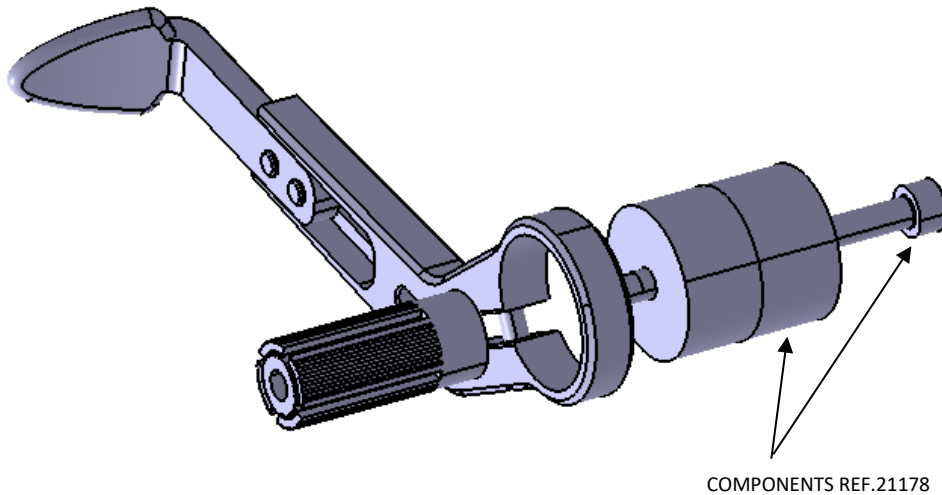


COMPONENTS REF.21178

REF.21178N



NOTA: ES NECESARIO DESMONTAR EL MECANISMO INTERNO DEL CONTRAPESO ORIGINAL/ IS NECESSARY TAKE OFF THE INTERNAL MECHANISM OF ORIGINAL BAR END.

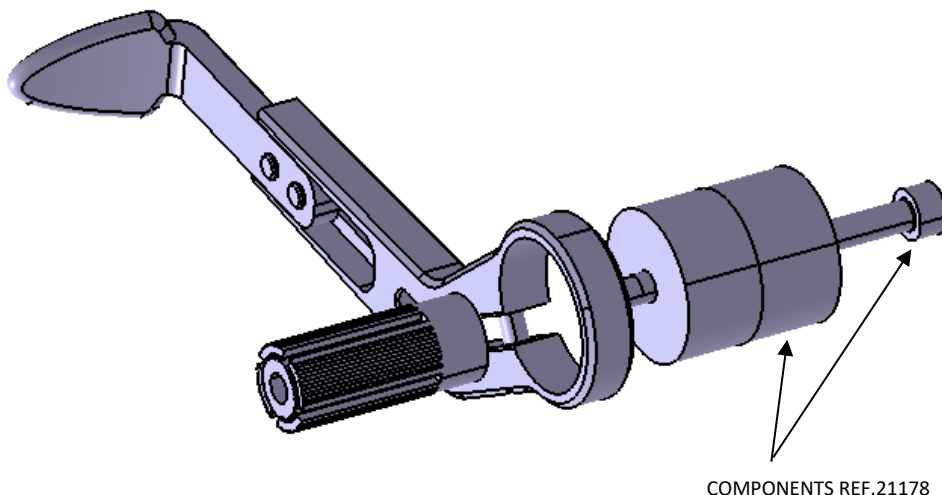


COMPONENTS REF.21178

REF.21178N



NOTA: ES NECESARIO DESMONTAR EL MECANISMO INTERNO DEL CONTRAPESO ORIGINAL/ IS NECESSARY TAKE OFF THE INTERNAL MECHANISM OF ORIGINAL BAR END.



COMPONENTS REF.21178