

HONDA CB650R NEO SPORTS CAFÉ '24-

M O U N T I N G I N S T R U C T I O N S

REF 21960

CARENABRÍS NG SPORT / WINDSHIELD NG SPORT



1 Person



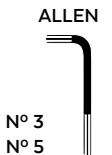
20 min



EASY



T40



N° 3
N° 5

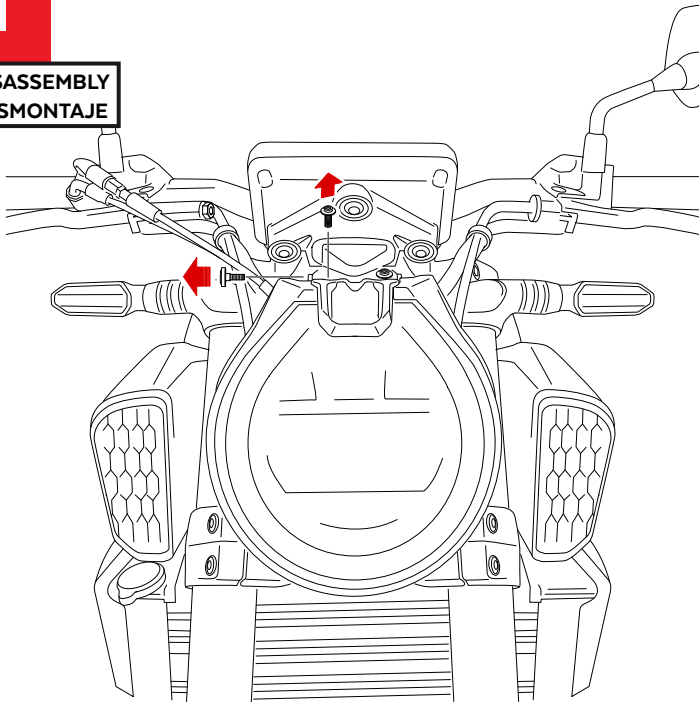
| ID. | PIEZA/PART | DESCRIPCIÓN | DESCRIPTION | QTY. | REF.: |
|-----|------------|-----------------------------------|--------------------------------|------|-----------------|
| 1 | | Cúpula Sport | Sport Screen | 1 | 10639H/F/W/JM3 |
| 2 | | Soporte izquierdo | Left support | 1 | SOPOR2P3-L21960 |
| 3 | | Soporte derecho | Right support | 1 | SOPOR2P3-R21960 |
| 4 | | Casquillo Ø13xØ8x3,5mm | Ø13xØ8x3,5mm Arrowhead | 2 | CASQUI-----775 |
| 5 | | Silentblock M5 | M5 Silentblock | 4 | SILENBTM5-046/1 |
| 6 | | Arandela nylon M5x1 | M5x1 Nylon washer | 4 | ARNV00000000245 |
| 7 | | Tornillo allen M5x16 Ø11 ISO 7380 | M5x16 Ø11 ISO 7380 allen screw | 6 | TORNI-I7380-493 |
| 8 | | Tapón tornillo M5 ISO 7380 | M5 ISO 7380 screw cap | 4 | TAPON-----85 |

HONDA CB650R NEO SPORTS CAFÉ '24-

INSTRUCCIONES DE MONTAJE - MOUNTING INSTRUCTIONS - MONTAGEANLEITUNG

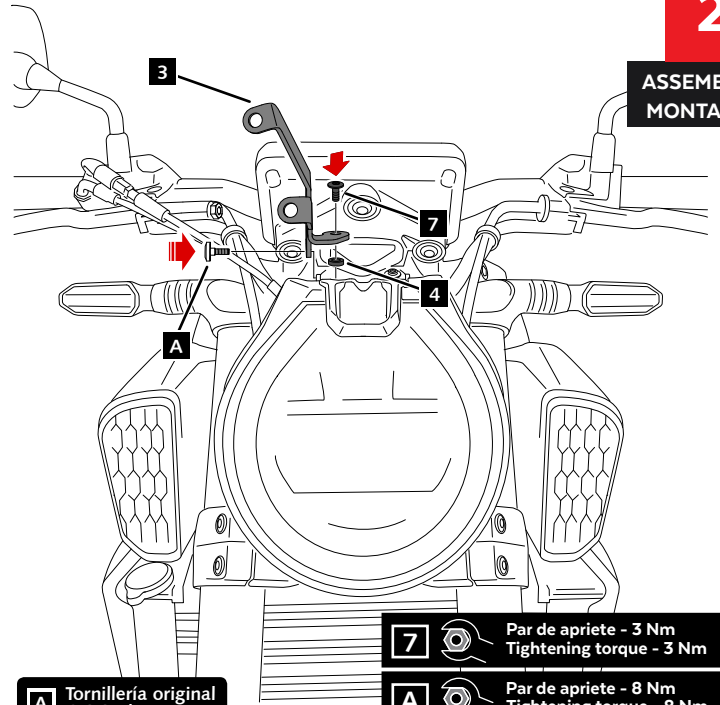
1

DISASSEMBLY
DESMONTAJE



2

ASSEMBLY
MONTAJE

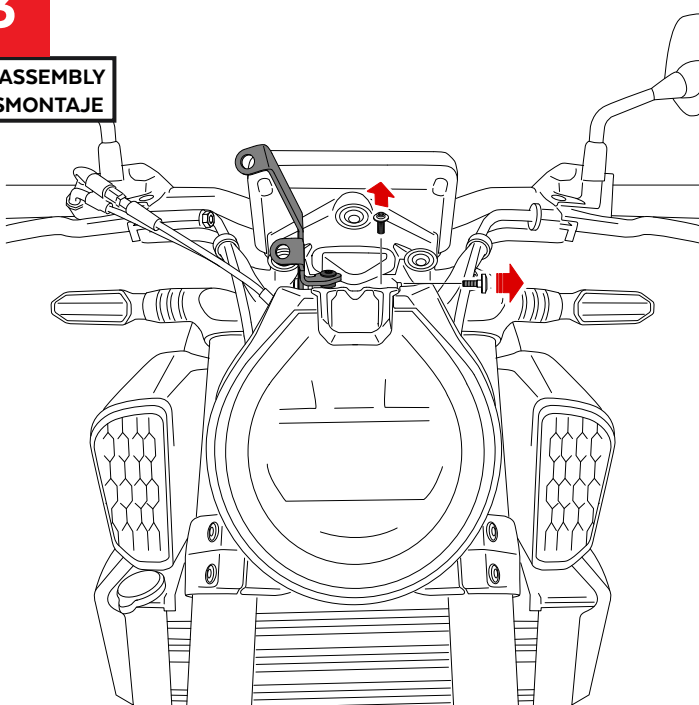


- 7** Par de apriete - 3 Nm
Tightening torque - 3 Nm
- A** Par de apriete - 8 Nm
Tightening torque - 8 Nm

A Tornillería original
Original screws

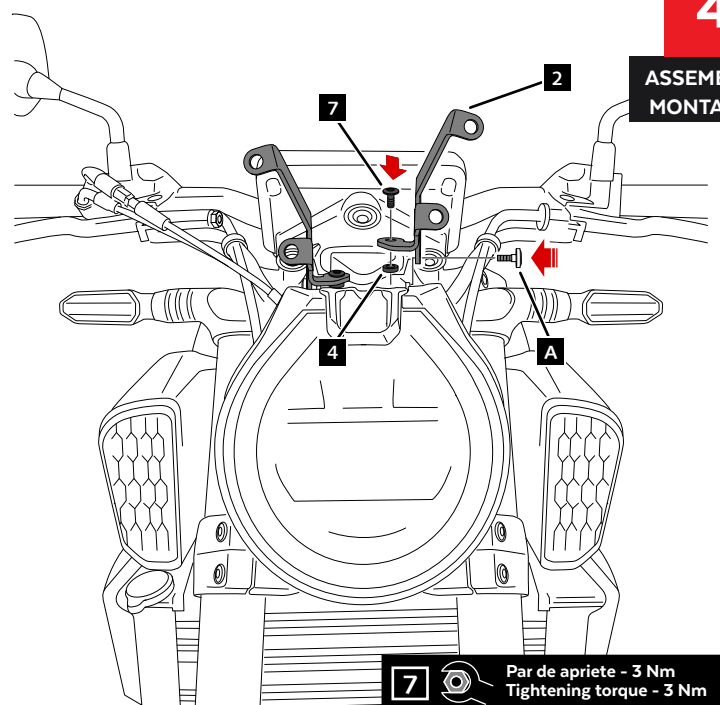
3

DISASSEMBLY
DESMONTAJE



4

ASSEMBLY
MONTAJE



- 7** Par de apriete - 3 Nm
Tightening torque - 3 Nm
- A** Par de apriete - 8 Nm
Tightening torque - 8 Nm

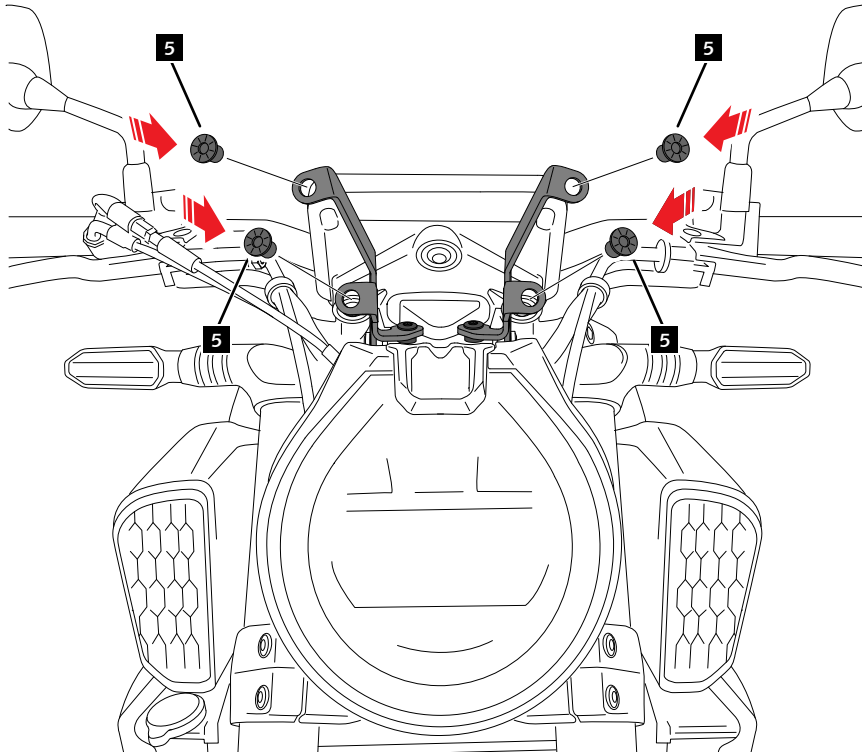
A Tornillería original
Original screws

HONDA CB650R NEO SPORTS CAFÉ '24-

INSTRUCCIONES DE MONTAJE - MOUNTING INSTRUCTIONS - MONTAGEANLEITUNG

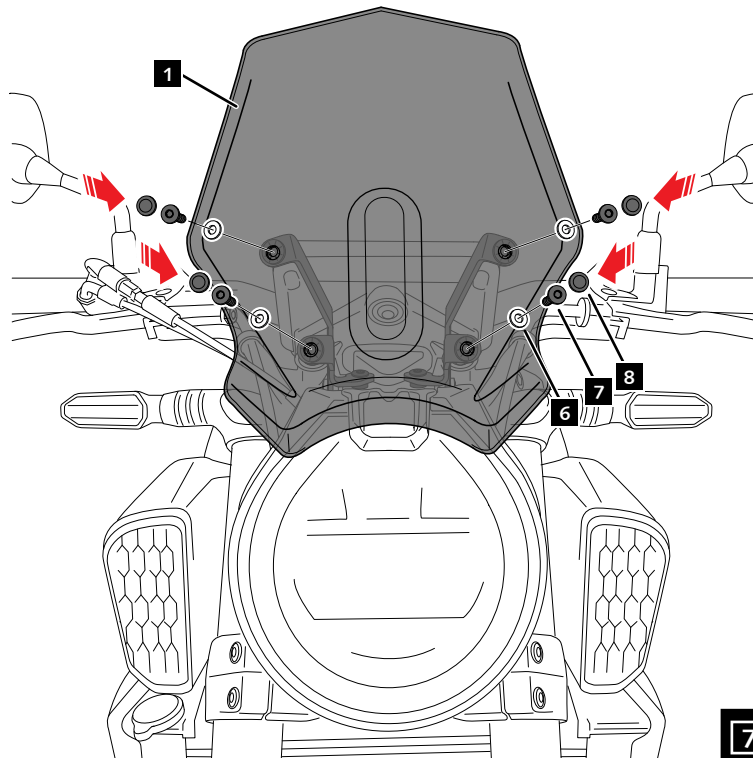
4

ASSEMBLY
MONTAJE



5

ASSEMBLY
MONTAJE



7  Par de apriete - 1,5 Nm
Tightening torque - 1,5 Nm