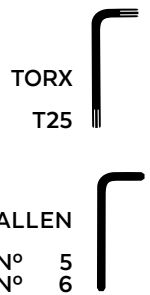


# BMW F750GS / F850GS / F850GS ADV / F900GS

## M O U N T I N G I N S T R U C T I O N S

REF 22029

OIL CARTER GUARD - PROTECTOR DE CÁRTER



ID	PIEZA/PART	DESCRIPCIÓN	DESCRIPTION	QTY	REF
1		Protector de aluminio	Aluminium plate protector	1	SOP2P11-PN22029 SOP2P11-PP22029
2		Soporte metálico	Metal support	1	SOP2P11-SN22029
3		Amortiguador antivibratorio silentblock Ø25x15 (M6x18, int M6x6)	Anti vibration damper silentblock Ø25x15 (M6x18, int M6x6)	2	SILENTBLOCK-529
4		Amortiguador antivibratorio silentblock Ø30x25 (M8x15, int M8x8)	Anti vibration damper silentblock Ø30x25 (M8x15, int M8x8)	2	SILENTBLOCK-540
5		Tornillo Allen M6x10 DIN7991	M6x10 DIN7991 Allen screw	2	TORNI-D7991-898
6		Tornillo Allen M8x10 DIN7991	M8x10 DIN7991 Allen screw	2	TORNI-D7991-922
7		Tornillo Allen M6x16 ISO 7380	M6x16 ISO 7380 Allen screw	2	TORNI-I7380-403
8		Casquillo Ø14x Ø8,5 x 7,5mm	Ø14x Ø8,5 x 7,5mm Arrowhead	2	CASQUI8147-0193

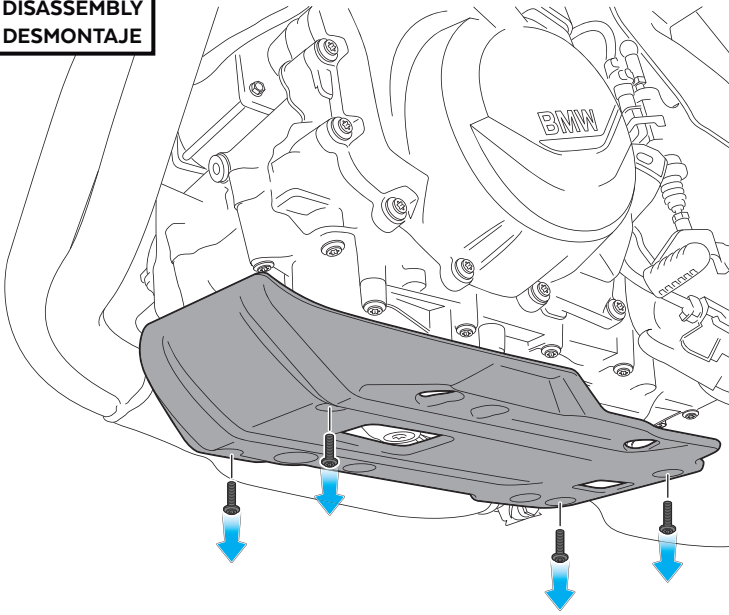
# BMW F750GS / F850GS / F850GS ADV / F900GS

INSTRUCCIONES DE MONTAJE - MOUNTING INSTRUCTIONS - MONTAGEANLEITUNG

**1**

DISASSEMBLY ONLY NECESSARY ON  
BMW F850GS AND F850GS ADVENTURE

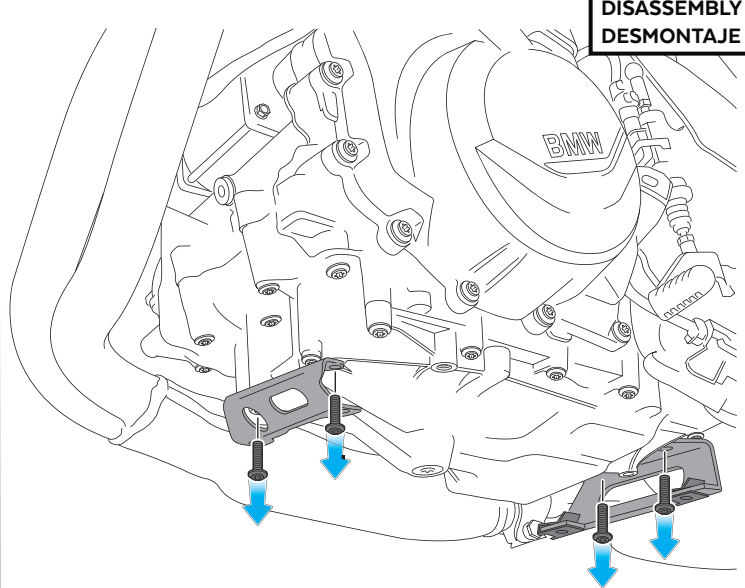
DISASSEMBLY  
DESMTAJE



**2**

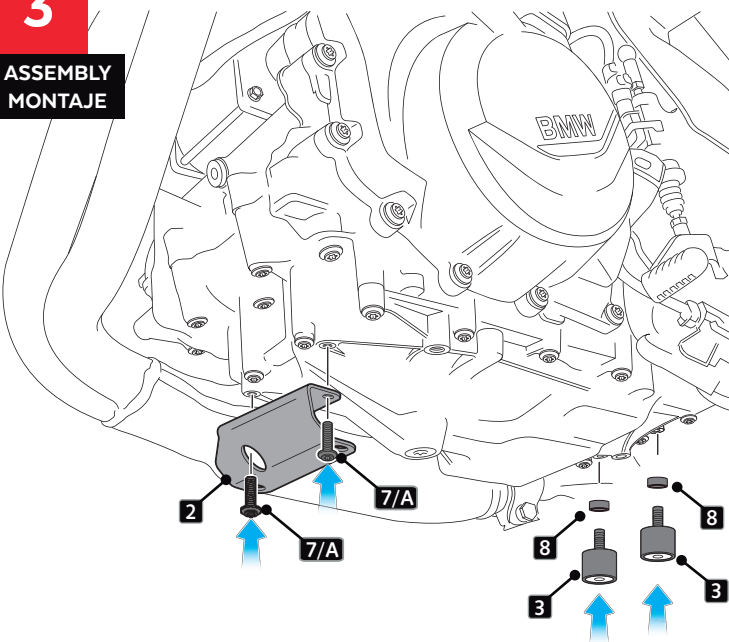
DISASSEMBLY ONLY NECESSARY ON  
BMW F850GS AND F850GS ADVENTURE

DISASSEMBLY  
DESMTAJE



**3**

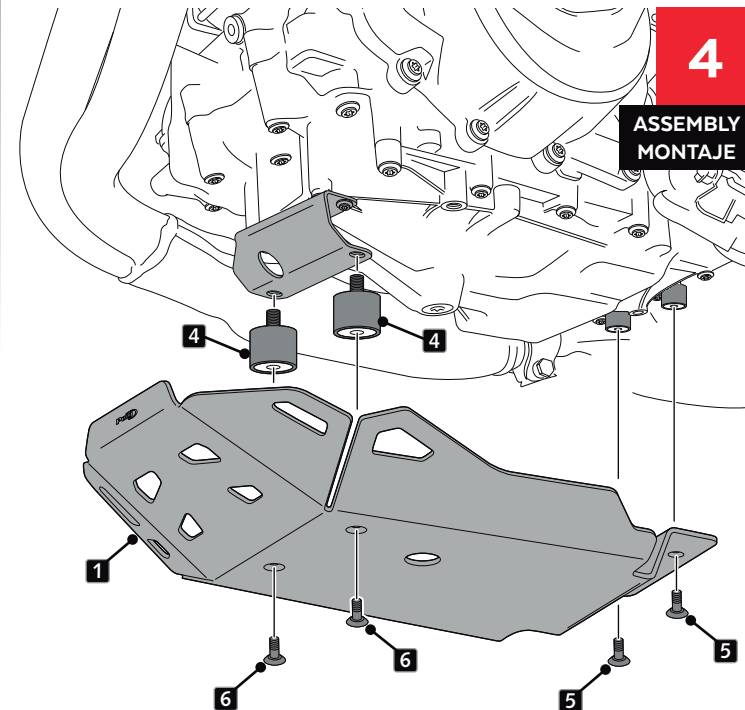
ASSEMBLY  
MONTAJE



**7/A** Par de apriete - 8 Nm  
Tightening torque - 8Nm

**4**

ASSEMBLY  
MONTAJE



**6** Par de apriete - 10 Nm  
Tightening torque - 10Nm

**5** Par de apriete - 8 Nm  
Tightening torque - 8Nm