

YAMAHA MT 09 '24-

M O U N T I N G I N S T R U C T I O N S

REF 22079

DOWNFORCE NAKED FRONTAL SPOILERS



1 Person



20 min



EASY



ALLEN

Nº 3
Nº 5
Nº 6



| ID | PIEZA/PART | DESCRIPCIÓN | DESCRIPTION | QTY | REF |
|----|---|-----------------------------------|--------------------------------|-----|-----------------|
| 1 |  | Alerón frontal | Frontal spoiler | 1 | 22079N/J/CM3 |
| 2 |  | Soporte | Support | 1 | SOPORIP2--22079 |
| 3 |  | Tope de goma Ø3,7-3,8 x 3,2mm | Ø3,7-3,8 x 3,2mm bumper foot | 1 | TOPE--POF-40022 |
| 4 |  | Casquillo Ø8,5 x Ø13 x 6mm | Ø8,5 x Ø13 x 6mm arrowhead | 2 | CASQUI-----776 |
| 5 |  | Tornillo Allen M8x40 ISO 7380 | M8x40 ISO 7380 Allen screw | 2 | TORNI-I7380-565 |
| 6 |  | Arandela de goma Ø4,5 x Ø11 x 2mm | Ø4,5 x Ø11 x 2mm Rubber washer | 2 | ARAND-EPDM--722 |
| 7 |  | Tornillo Allen M5x12 DIN7991 | M5x12 DIN7991 Allen screw | 2 | TORNI-D7991-611 |
| 8 |  | Tapón tornillo M5 DIN7991 | M5 DIN7991 Screw cap | 2 | TAPON-----92 |

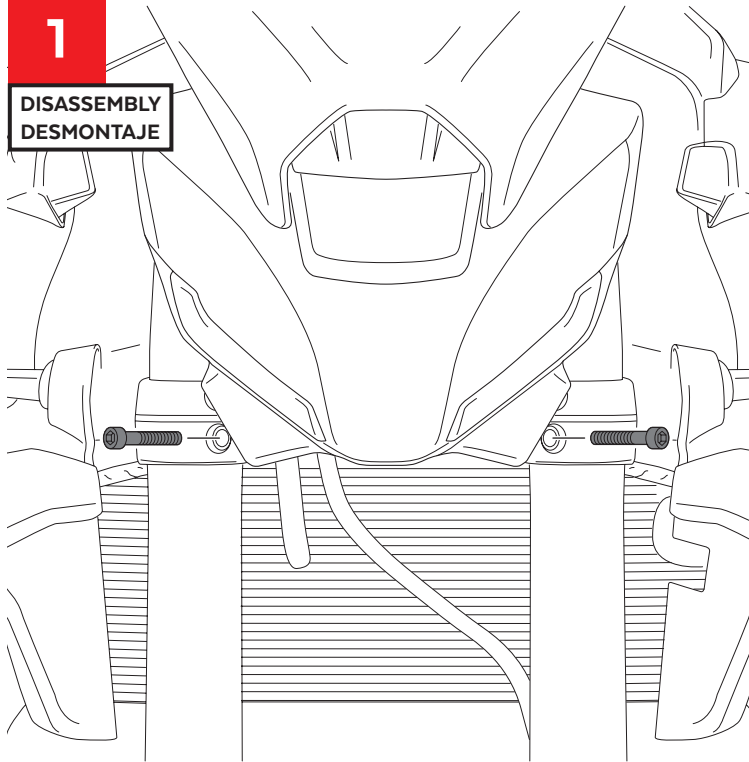
* Algunos componentes se suministran montados.
Some components are supplied assembled.

YAMAHA MT 09 '24-

INSTRUCCIONES DE MONTAJE - MOUNTING INSTRUCTIONS - MONTAGEANLEITUNG

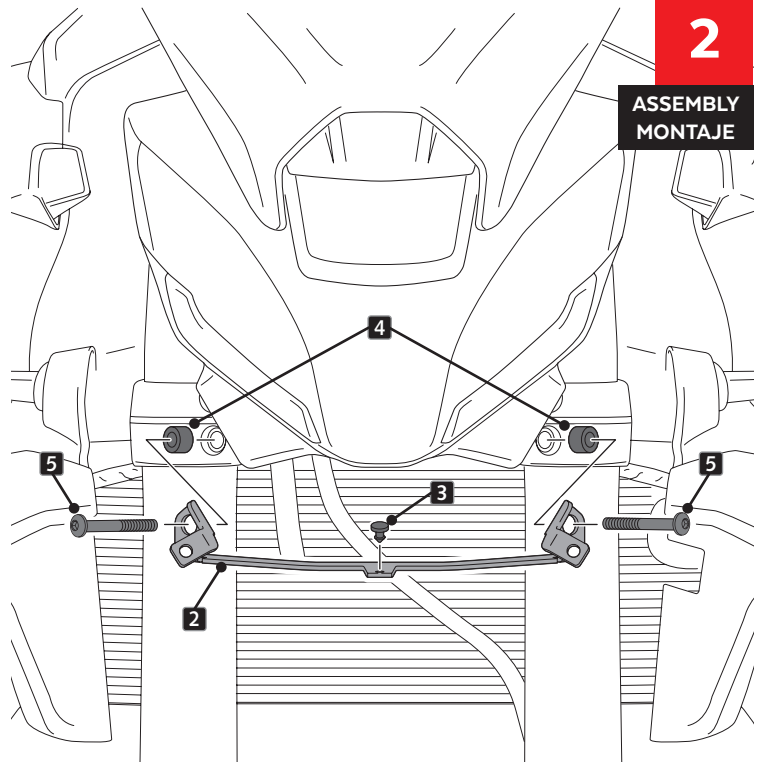
1

DISASSEMBLY
DESMONTAJE



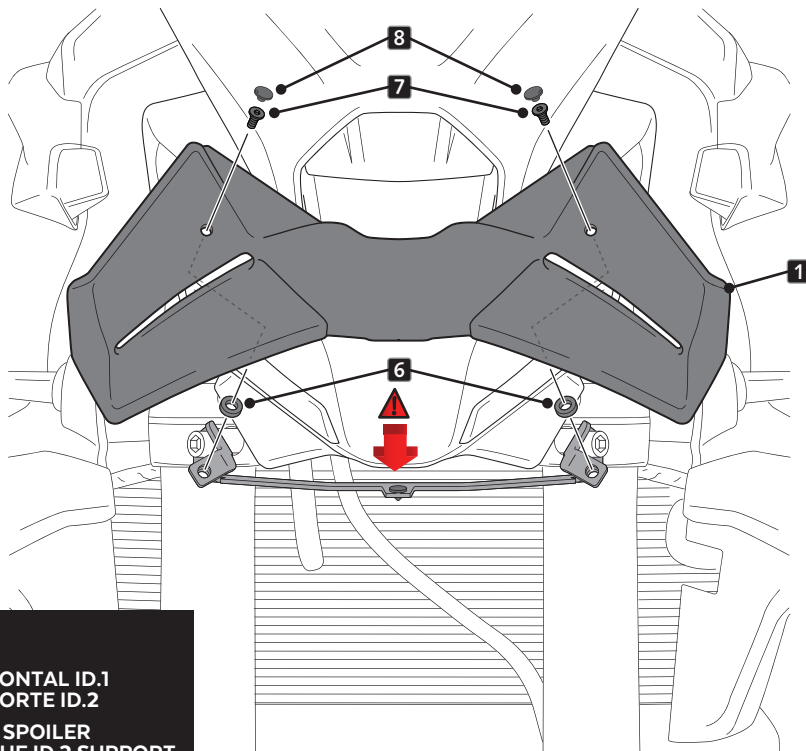
2


ASSEMBLY
MONTAJE



3

ASSEMBLY
MONTAJE




INTRODUCIR EL ALERÓN FRONTAL ID.1
ENTRE LA MOTO Y EL SOPORTE ID.2
INSERT THE ID.1 FRONTAL SPOILER
BETWEEN THE MOTORBIKE AND THE ID.2 SUPPORT