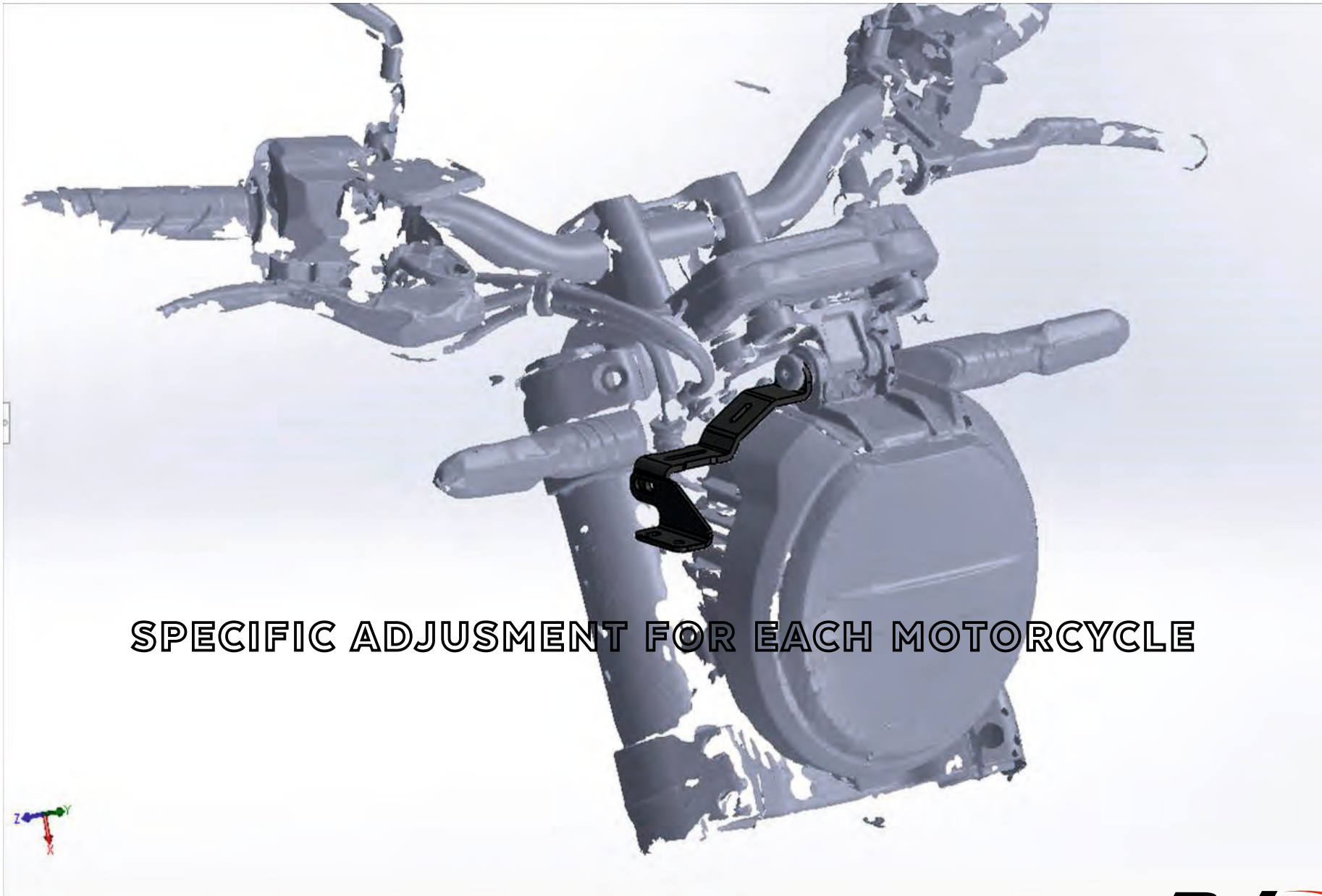


LED SPOTLIGHTS
SUPPORT

S U P P O R T

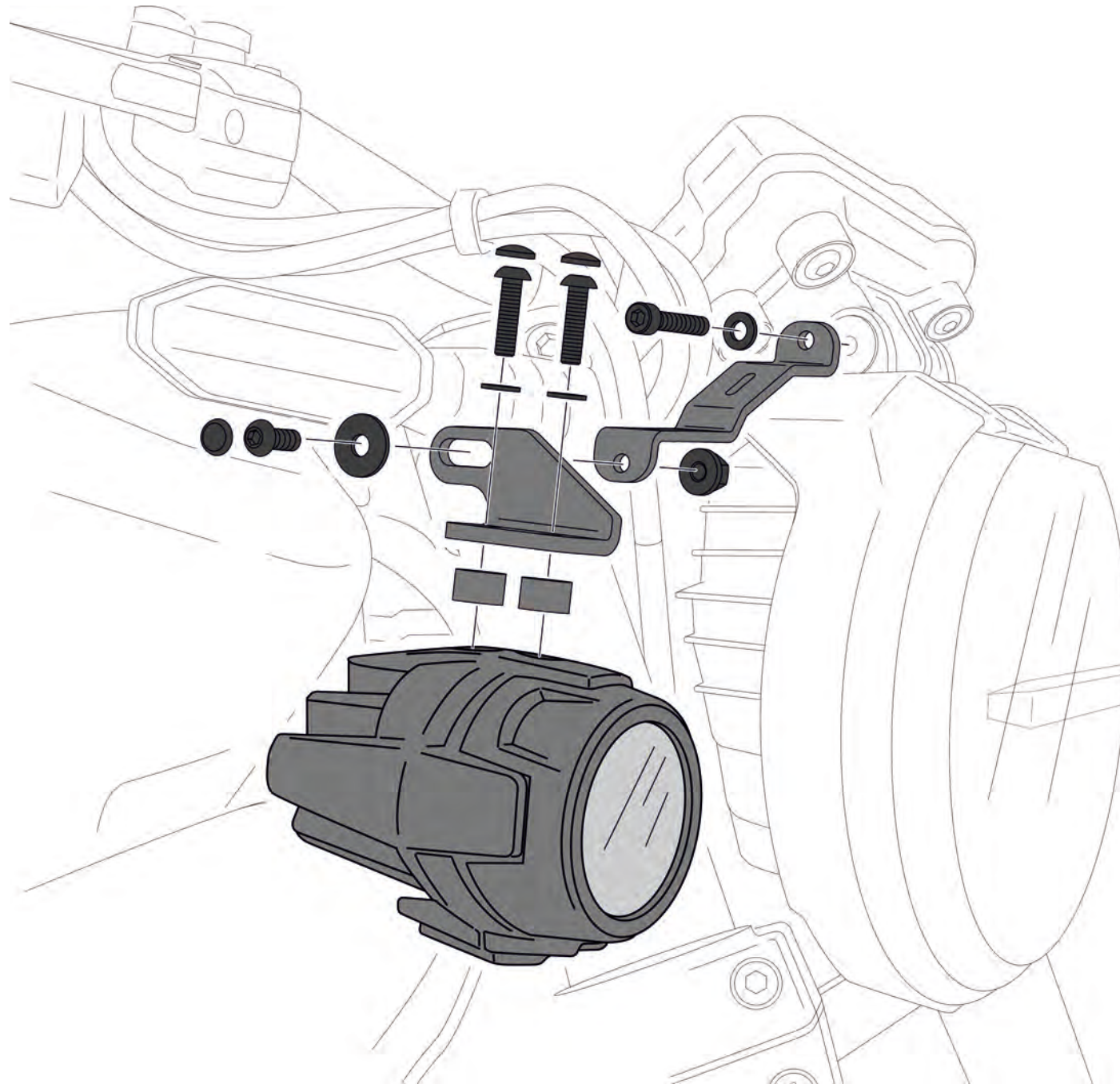
L E D S P O T L I G H T S

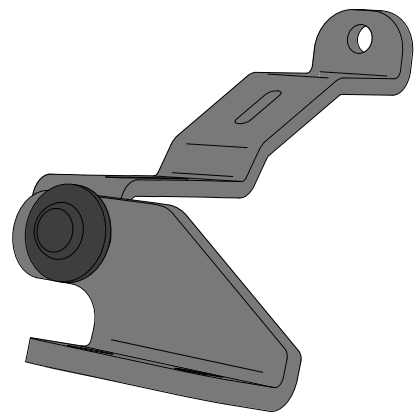




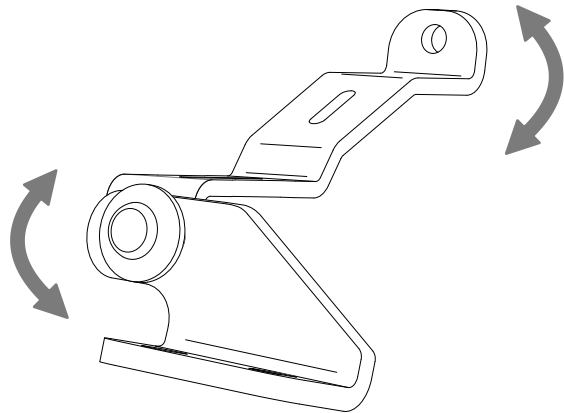
SPECIFIC ADJUSTMENT FOR EACH MOTORCYCLE



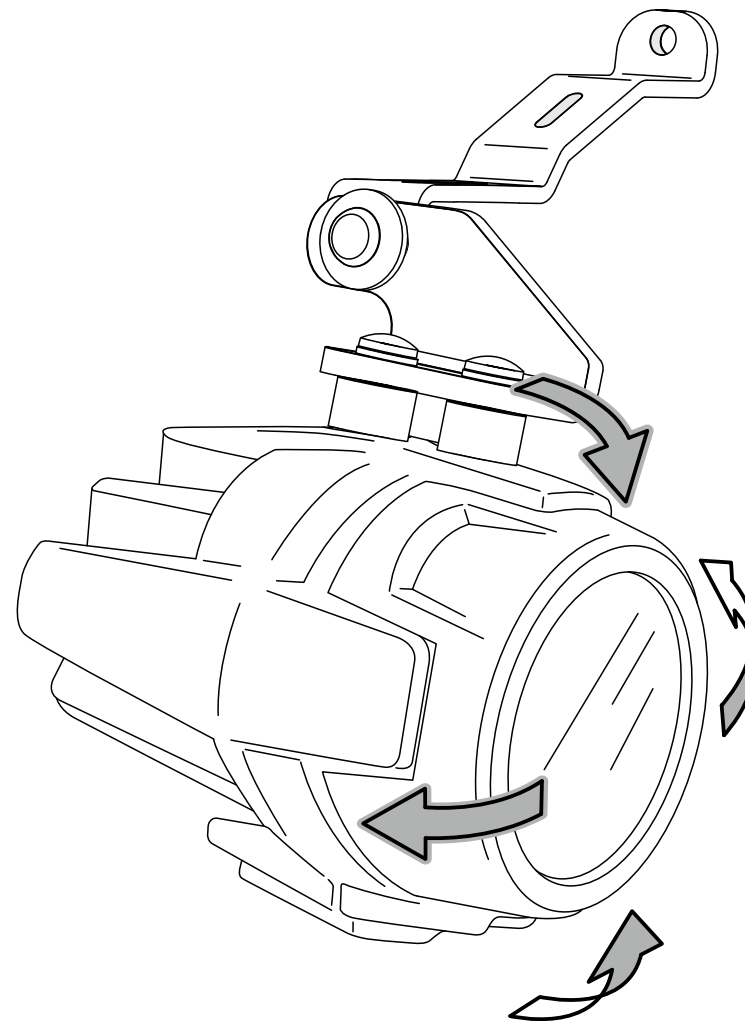




MATERIAL
3mm plate steel with
black epoxy paint



ADJUSTABLE
Inclination and elevation



LED SPOTLIGHTS
SUPPORT

+info contact: Motoplastic S.A
C/Barcelona, 102 nau B
Poligon industrial Can Castells 08420 - Canovelles, Bcn, Spain

