

ELECTRONIC REGULABLE SYSTEM (E.R.S.)

BMW

R1200GS LC '13-'18 / RALLYE '13-'18 / EXCLUSIVE '13-'18 / R1250GS '19- / ADVENTURE '13-

M O U N T I N G I N S T R U C T I O N S

VIDEO

REF 9718



LONG NOSE
PLIERS



FLAT
SCREWDRIVER



TORX



CUTTING
PLIERS



FIX



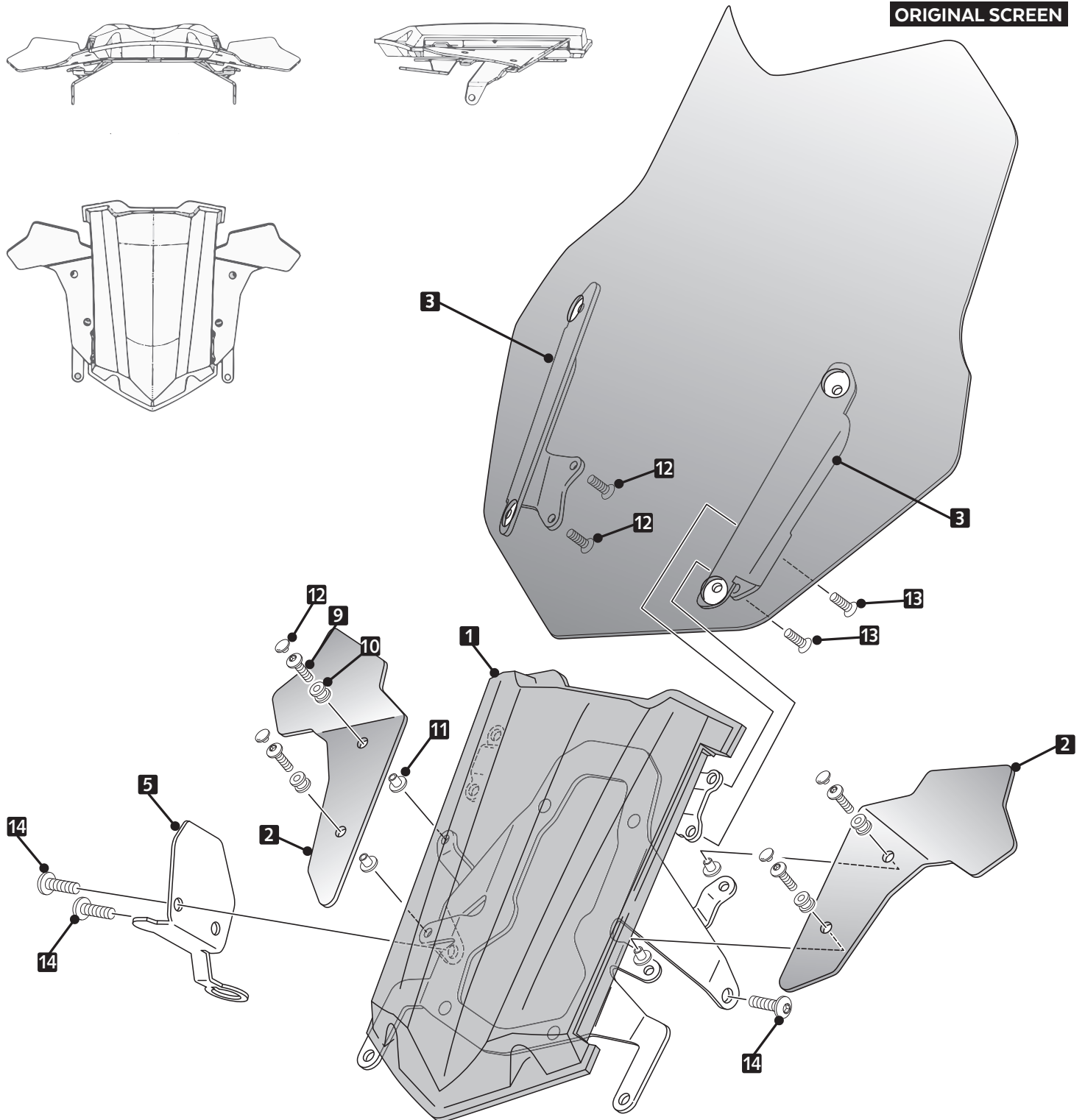
ALLEN



ID	PIEZA/PART	DESCRIPCIÓN	DESCRIPTION	QTY	REF
1		ERS	ERS	1	9718
2		Deflectores	Deflectors	1	9718
3		Soportes Cúpula	Screen supports	1	9718
4		Interruptor + soporte	Box switch + support	1	9718
5		Soporte toma 12V	12V Socket support	1	9718
6		Limitador de intensidad	Intensity box limiter	1	ERSIUNIVERSAL
7		Cable alimentación BMW	BMW power cable	1	3157
8		Aumentador de Tensión	Voltage booster	1	ERSIUNIVERSA1
9		Tornillo Allen M5x11 Ø11 ISO7380	M5x11 Ø11 ISO7380 Allen screw	4	TORNI-AI----520
10		Silentblock Ø12xØ6x9	Ø12xØ6x9 Silentblock	4	AROPASACABLES-1
11		Casquillo con valona Ø12xØ6,8x7,3	Ø12xØ6,8x7,3 bush with flange	4	CASQUI-1A---750
12		Tapón tornillo M5 ISO 7380	M5 ISO 7380 screw cap	4	TAPON-----85
13		Tornillo Allen M5x10 DIN7991	M5x10 DIN7991 Allen screw	4	TORNI-D7991-808
14		Tornillo Allen M6x20 Ø14 ISO7380	M6x20 Ø14 ISO7380 Allen screw	3	TORNI-I7380-404

EXPLOTING

REF 9718



WIRING DIAGRAM

REF 9718

