

YAMAHA TENERÉ 700 '19-

M O U N T I N G I N S T R U C T I O N S

REF 3732

MANUAL REGULATION SYSTEM FOR WINDSHIELDS



ALLEN

Nº 2,5
Nº 3
Nº 4
Nº 5



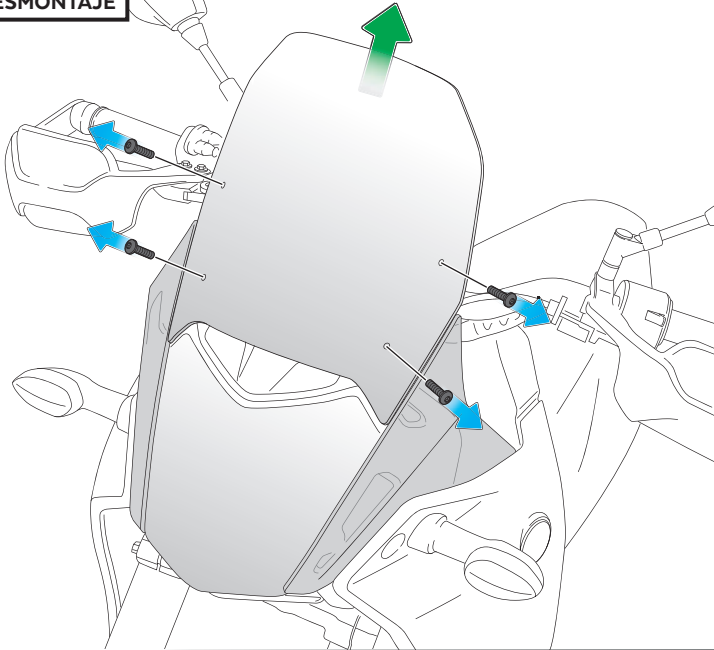
ID	PIEZA/PART	DESCRIPCIÓN	DESCRIPTION	QTY	REF
1		Varillas	Rods	2	SOP011P12-V3732
2		Soporte superior (R y L)	Upper support (R and L)	1	SOP011P12LU3732
				1	SOP011P12RU3732
3		Soporte inferior	Lower support	1	SOP011P12-L3732
4		Soporte cúpula (R y L)	Screen support (R and L)	1	SOP011P12LS3732
				1	SOP011P12RS3732
5		Soporte palanca (R y L)	Lever support (R and L)	1	SOP011P12LP3732
				1	SOP011P12RP3732
6		Soporte palanca-cúpula (R y L)	Screen-lever support (R and L)	1	SOP011P12LC3732
				1	SOP011P12RC3732
7		Casquillo superior (washer A)	Upper bush (washer A)	2	CASQUI-----851
8		Casquillo inferior (washer B)	Lower bush (washer B)	2	CASQUI-----852
9		Casquillo Ø4,3x Ø8 x2,5 (washer C)	Ø4,3x Ø8 x2,5 spacer (washer C)	2	CASQUI-----3732
11		Tornillo Allen M4x12 ISO7380	M4x12 ISO7380 Allen screw	2	TORNI-I7380-800
12		Tornillo Allen M4x10 DIN912	M4x10 DIN912 Allen screw	4	TORNI-D912--895
13		Tuerca M4 autoblocante	M4 nut	2	TUERCAE985-0290
14		Tapón tuerca M4	M4 nut cap	2	TAPON-----91
15		Arandela Grower M4 DIN127/B	M4 DIN127/B Grower washer	4	ARAND-----854
16		Tornillo Allen M5x11 Ø11 ISO 7380	M5x11 Ø11 ISO 7380 Allen screw	4	TORNI-AI----520
17		Arandela de nylon M5x1	M5x1 nylon washer	4	ARNV0000000245
18		Arandela de goma Ø4,5 x Ø11 x 2mm	Ø4,5 x Ø11 x 2mm rubber washer	4	ARAND-EPDM--722
19		Casquillo Ø6,5x Ø13 x8,5	Ø6,5x Ø13 x8,5 spacer	2	CASQUI-----0298
20		Tornillo Allen M6x25 Ø14 ISO7380	M6x25 Ø14 ISO7380 Allen screw	2	TORNI-I7380-405
21		Tornillo Allen M3x8 ISO7380	M3x8 ISO7380 Allen screw	2	TORNI-I7380-882
22		Tuerca M3 DIN985	M3 DIN985 Nut	2	TUERCA-D985-883

YAMAHA TENERÉ 700 '19-

INSTRUCCIONES DE MONTAJE - MOUNTING INSTRUCTIONS - MONTAGEANLEITUNG

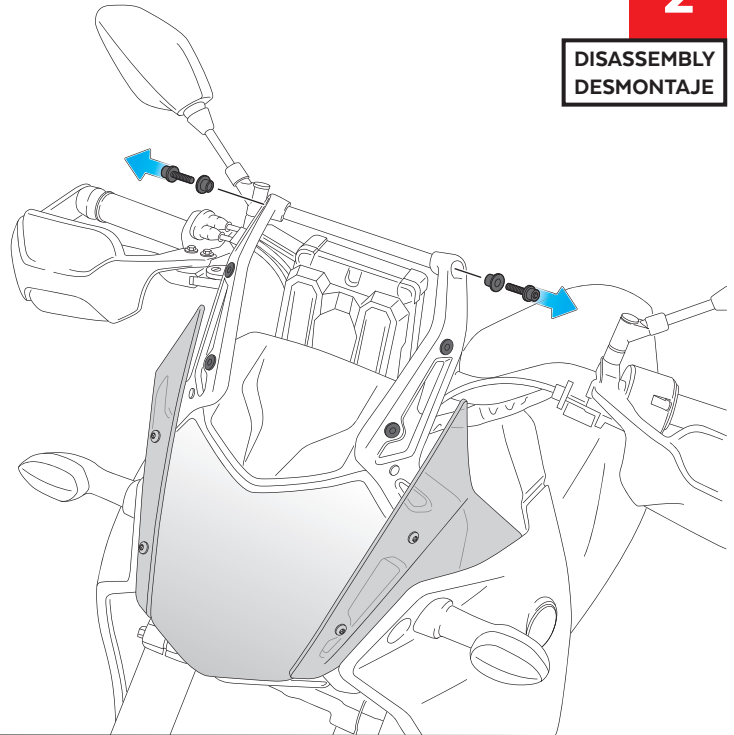
1

DISASSEMBLY
DESMONTAJE



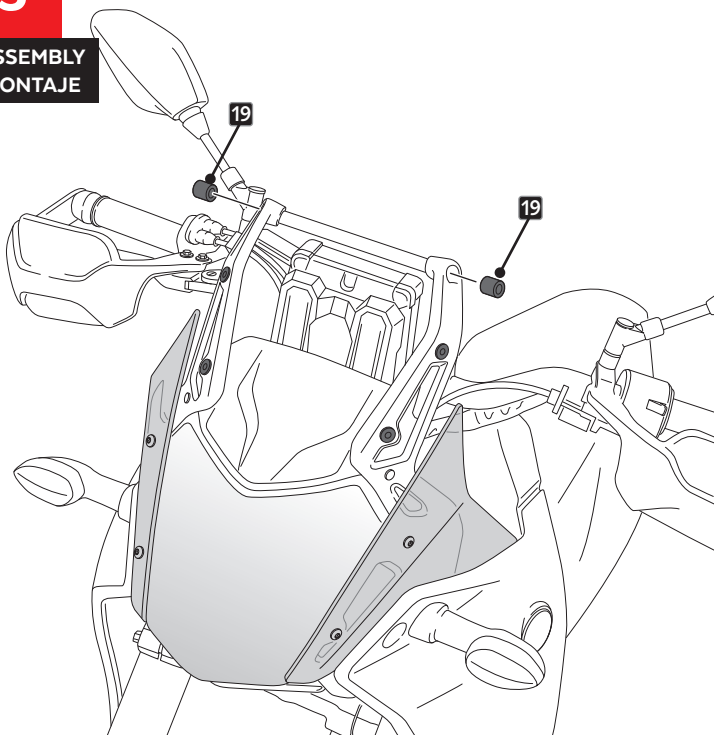
2

DISASSEMBLY
DESMONTAJE



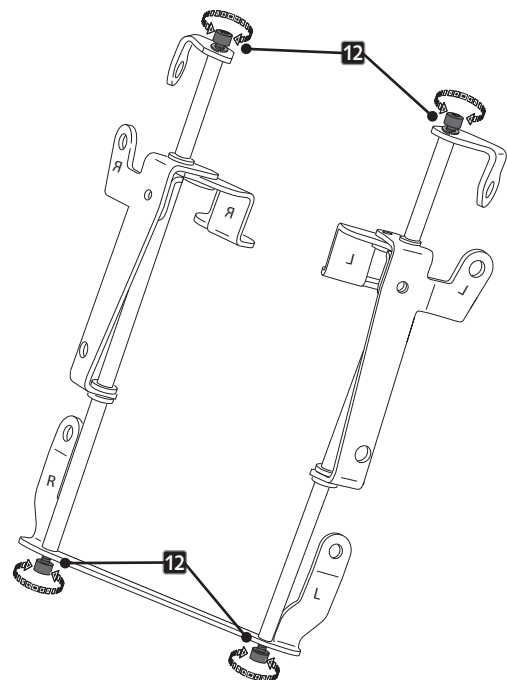
3

ASSEMBLY
MONTAJE



4

ASSEMBLY
MONTAJE



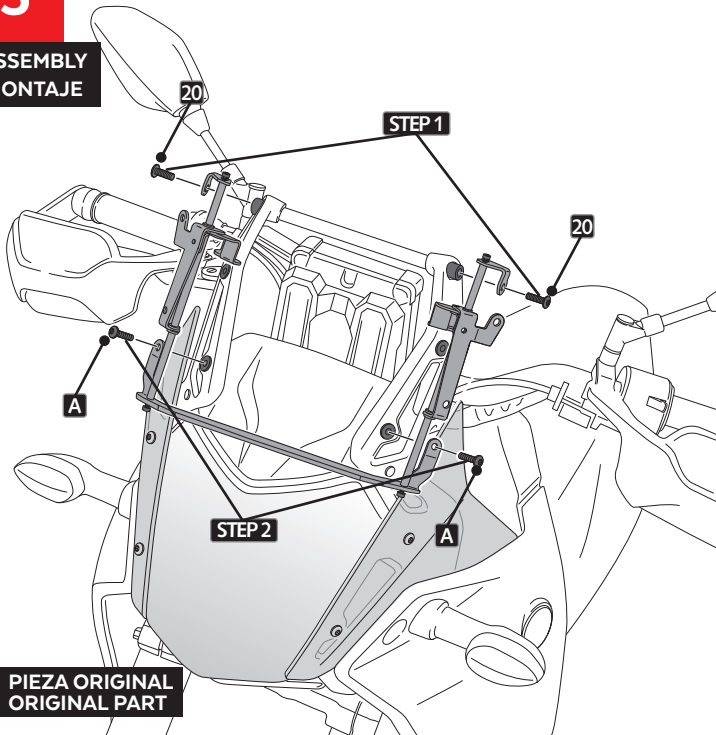
ID-12 AFLOJAR LOS TORNILLOS
LOOSEN SCREWS

YAMAHA TENERÉ 700 '19-

INSTRUCCIONES DE MONTAJE - MOUNTING INSTRUCTIONS - MONTAGEANLEITUNG

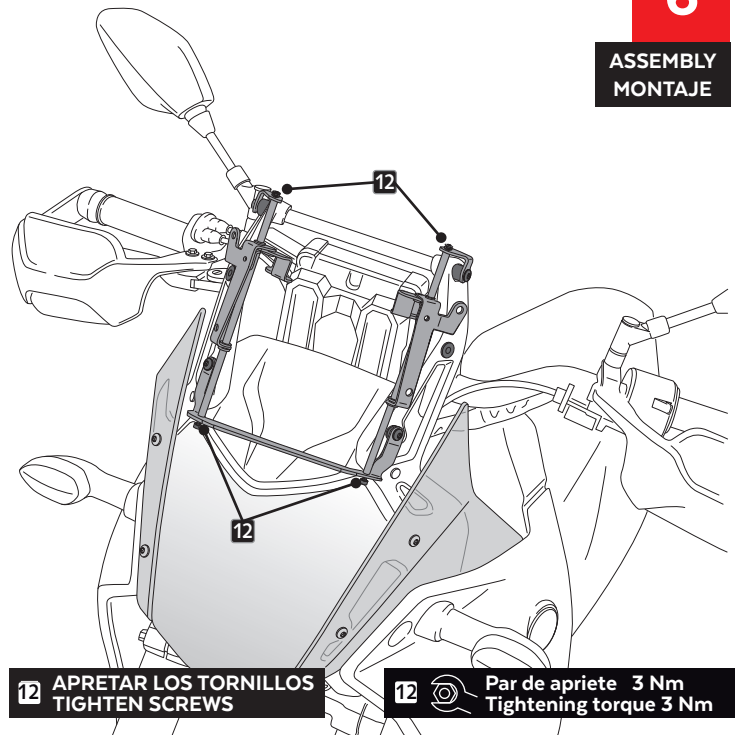
5

ASSEMBLY
MONTAJE



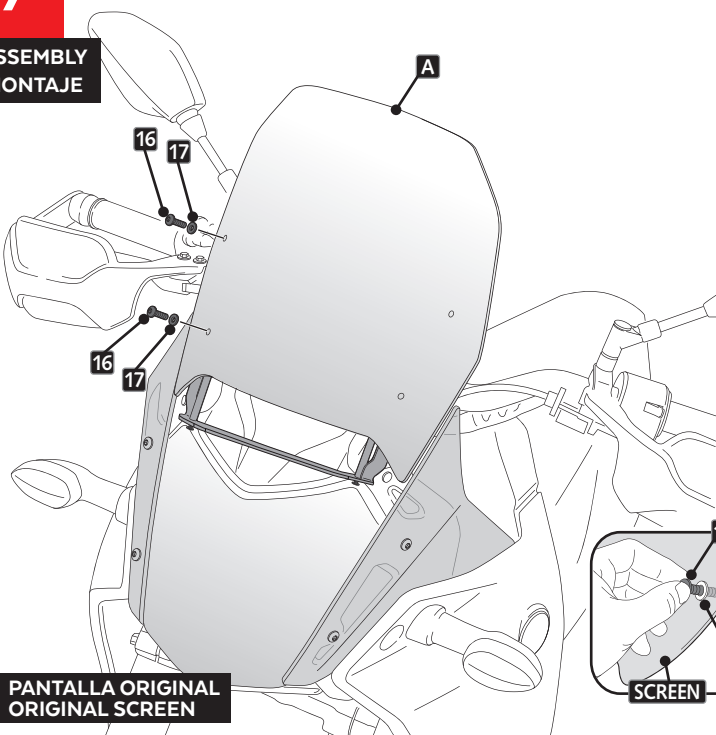
6

ASSEMBLY
MONTAJE



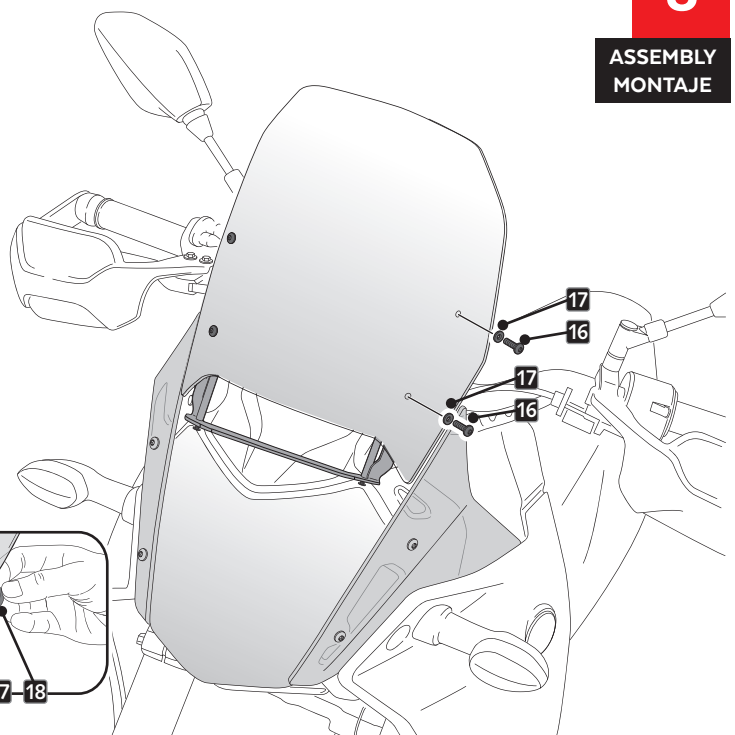
7

ASSEMBLY
MONTAJE



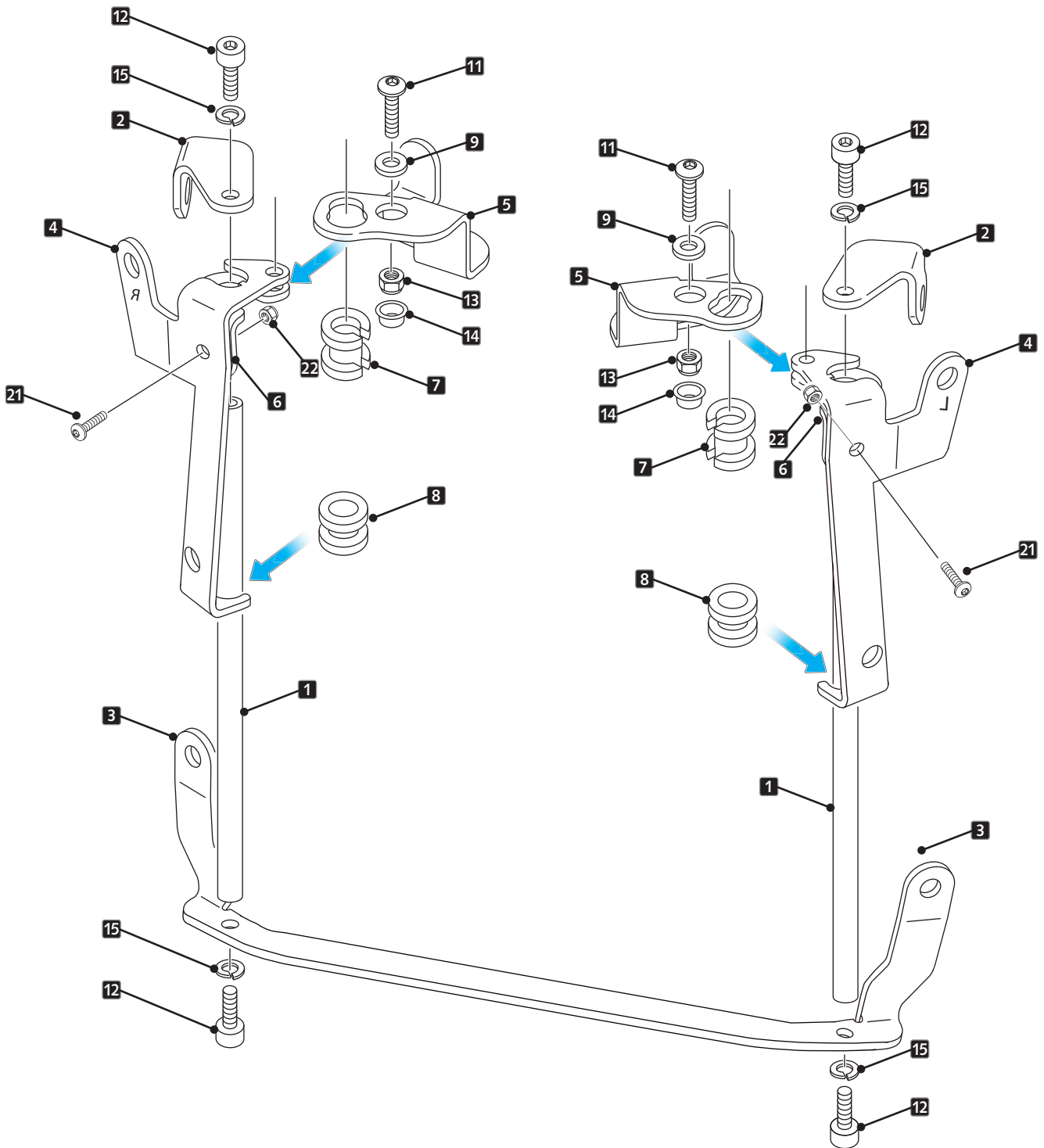
8

ASSEMBLY
MONTAJE



YAMAHA TENERÉ 700 '19-

EXPLOTING



12  Par de apriete 3 Nm
Tightening torque 3 Nm