

KAWASAKI VULCAN S '15-

M O U N T I N G I N S T R U C T I O N S

REF 21075

SEMIFAIRING BATWING SML SPORT MODEL



Nº 7
Nº 10



ALLEN

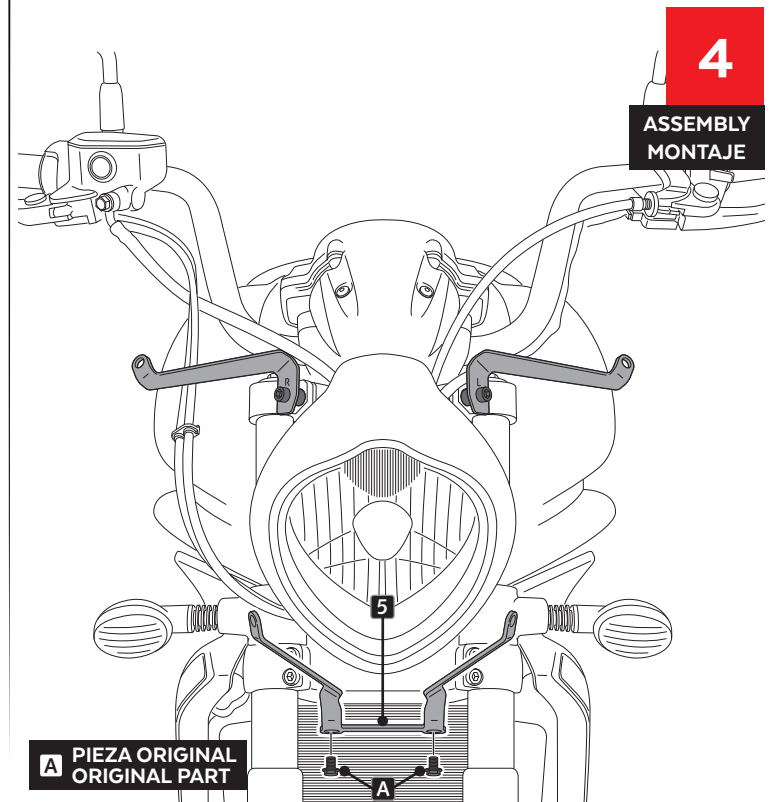
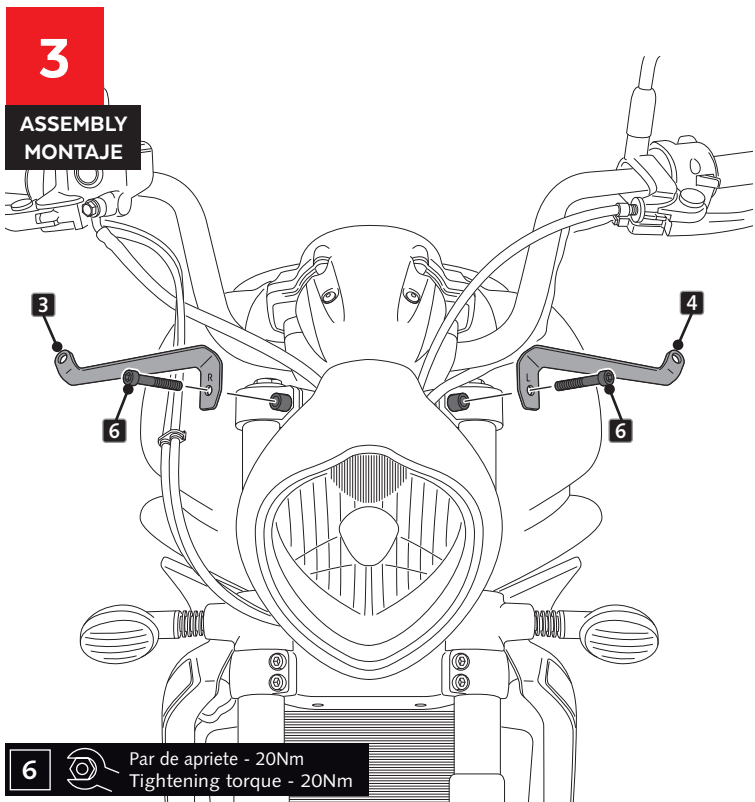
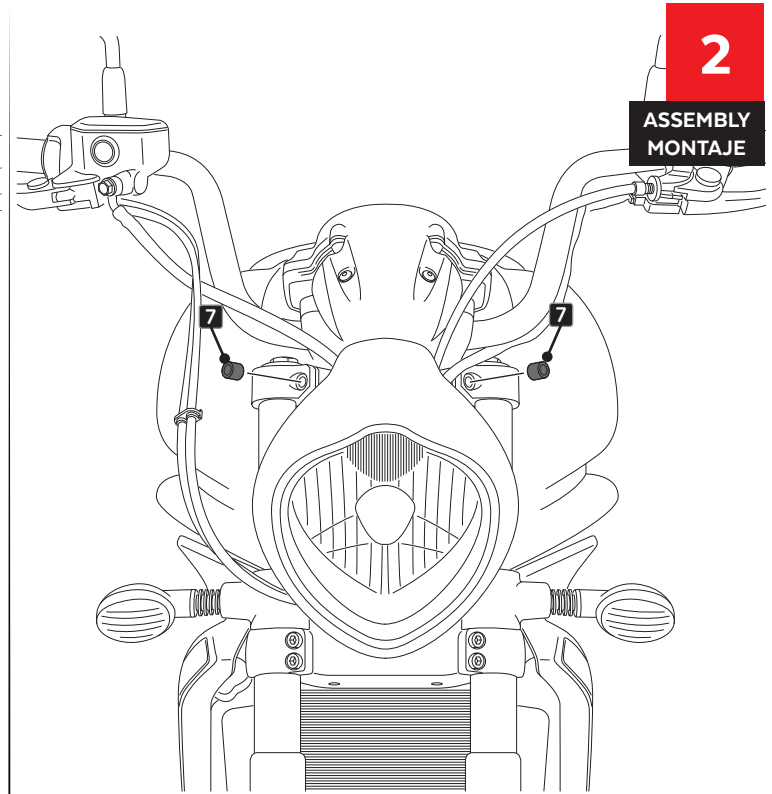
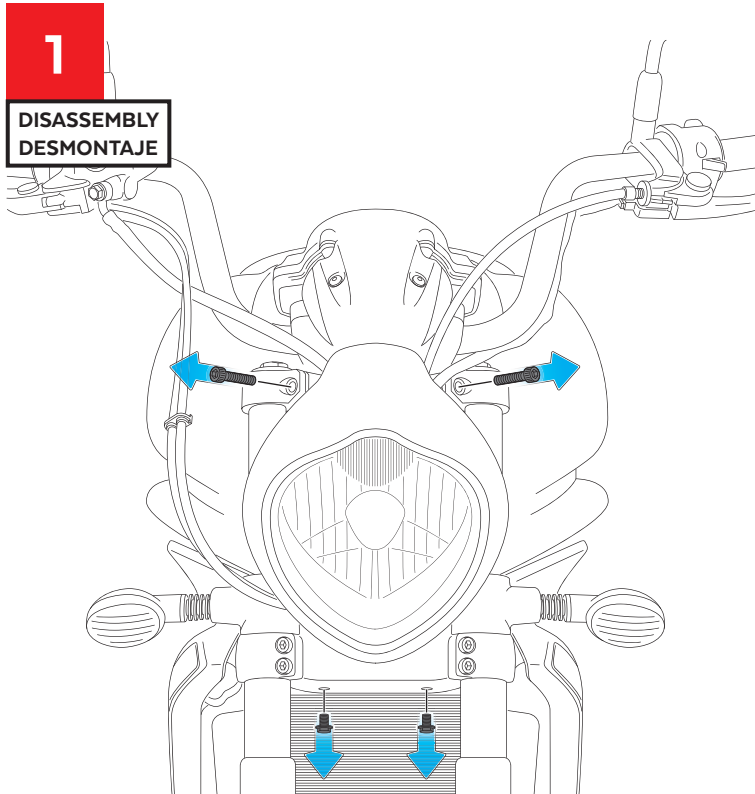
Nº 2,5
Nº 3
Nº 6



| ID | PIEZA/PART | DESCRIPCIÓN | DESCRIPTION | QTY | REF |
|----|------------|-----------------------------------|--------------------------------|-----|-----------------|
| 1 | | Semicarenado | Semifairing | 1 | 10898J |
| 2 | | Cúpula Sport | Sport screen | 1 | 10899 |
| 3 | | Soporte superior derecho (R) | Upper Left support | 1 | SOP3P3R-BTM0007 |
| 4 | | Soporte superior izquierdo (L) | Upper Left support | 1 | SOP3P3L-BTM0007 |
| 5 | | Soporte inferior (I) | Lower support | 1 | SOP3P3I-BTM0007 |
| 6 | | Tornillo Allen M8x50 DIN912 | M8x50 DIN912 screw | 2 | TORNI-D912--532 |
| 7 | | Casquillo Ø8x Ø14x 18 | Ø8x Ø14x 18 spacer | 2 | CASQUI-----0139 |
| 8 | | Silentblock M5 | M5 silentblock | 4 | SILENBTM5-046/1 |
| 9 | | Arandela nylon M5x1 | M5x1 nylon washer | 4 | ARNV00000000245 |
| 10 | | Tornillo Allen M5x16 Ø11 ISO 7380 | M5x16 Ø11 ISO 7380 Allen screw | 4 | TORNI-I7380-493 |
| 11 | | Tapón tornillo M5 ISO 7380 | M5 ISO 7380 screw cap | 4 | TAPON-----85 |
| 12 | | Tornillo Allen M4x12 ISO7380 | M4x12 ISO 7380 Allen screw | 3 | TORNI-I7380-800 |
| 13 | | Arandela nylon M4 | M4 nylon washer | 6 | ARNV00000000311 |
| 14 | | Tuerca autoblocante M4 | M4 lock nut | 3 | TUERCAE985-0290 |
| 15 | | Tapón tuerca M4 | M4 cap nut | 3 | TAPON-----91 |

KAWASAKI VULCAN S '15-

INSTRUCCIONES DE MONTAJE - MOUNTING INSTRUCTIONS - MONTAGEANLEITUNG

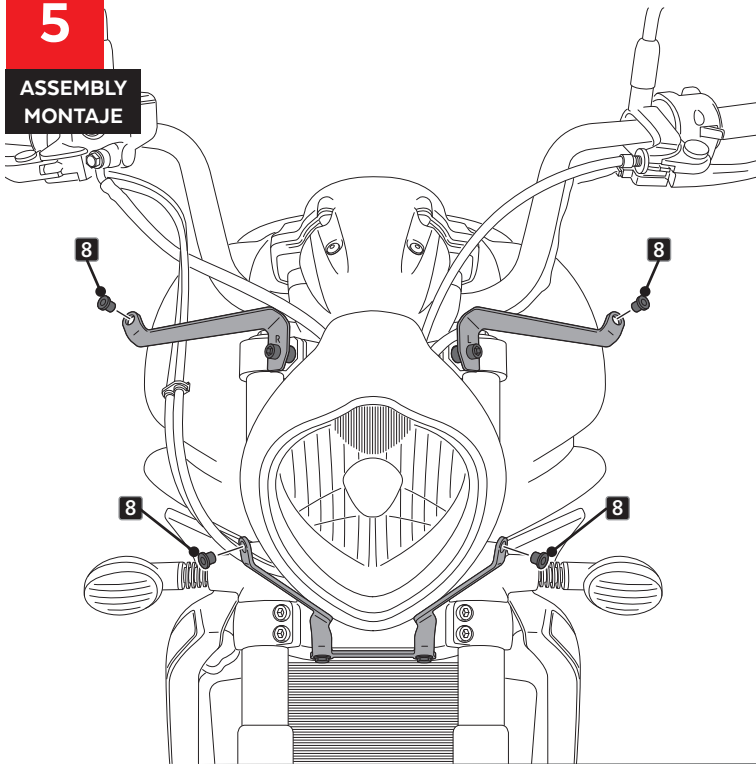


KAWASAKI VULCAN S '15-

INSTRUCCIONES DE MONTAJE - MOUNTING INSTRUCTIONS - MONTAGEANLEITUNG

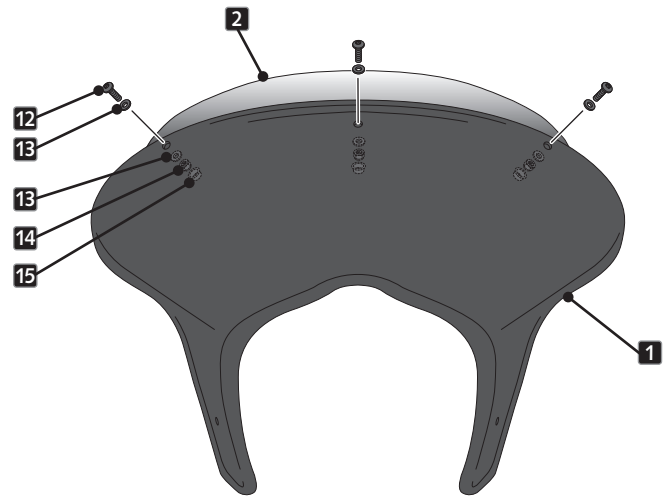
5

ASSEMBLY
MONTAJE



6

ASSEMBLY
MONTAJE



7

ASSEMBLY
MONTAJE

